



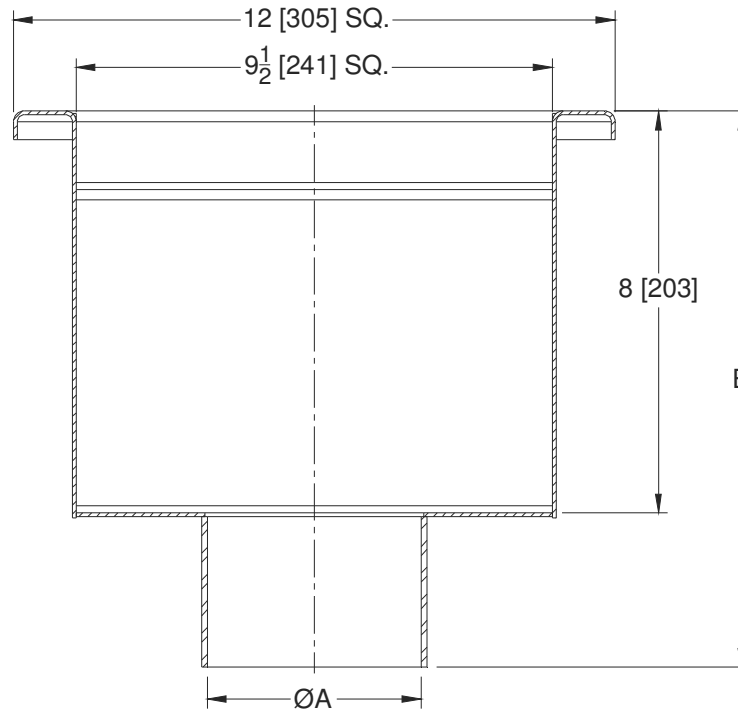
# Z1751-SDC

12" x 12" x 8" [305 x 305 x 203] SQUARE INDUSTRIAL FLOOR SINK

SPECIFICATION SHEET

TAG \_\_\_\_\_

Dimensional Data (inches and [ mm ]) are Subject to Manufacturing Tolerances and Change Without Notice



Approx. Wt. Lbs. [kg]
11 [5]

### Engineering Specification: Z1751-SDC

12" X 12" X 8" [305 x 305 x 203] Deep, 14 gauge, type 304 stainless steel, loose set full grate stainless steel sediment basket. Drain meets U.S. FDA standards for corrosion resistance.

### Options (Check/specify appropriate options)

#### Pipe Size (ØA) (Specify size) Outlet

2-3-4 [51-76-102]    \_\_\_ NH No-Hub

#### Prefixes

- \_\_\_ Z    Type 304 (CF8) Stainless Steel\*
- \_\_\_ ZM    Type 316 (CF8M) Stainless Steel

#### Suffixes

- \_\_\_ -A    Adjustable Threaded Outlet
- \_\_\_ -BF    Butterfly Lock Sediment Basket
- \_\_\_ -KC    Anchor Flange w/ Seepage Holes and Clamp Collar
- \_\_\_ -MG    EZLock Magnetic Lock System
- \_\_\_ -P    1/2 [13] Trap Primer Connection

#### Grate Options

- \_\_\_ -2    1/2 Grate
- \_\_\_ -3    3/4 Grate

\* Regularly furnished unless otherwise specified.