

STAINLESS STEEL MIXER TABLES WITH UNDERSHELVES

REGENCY
Stainless Steel Commercial
Tables And Sinks



FEATURES

- Smooth type 304 stainless steel work surface makes cleaning a breeze
- Designed to securely hold heavy mixers
- Marine edges help keep equipment in place
- Undershelf provides additional storage space
- Adjustable bullet feet ensure leveling on uneven surfaces
- Combines unbeatable strength with long-lasting durability
- Simple assembly and installation requires little effort

SPECIFICATIONS



18 GAUGE STAINLESS STEEL TOPS • GALVANIZED UNDERSHELVES & LEGS

ITEM	LENGTH	WIDTH	WORK HEIGHT	UNDERSHELF DIMENSIONS	TOP SHELF CAPACITY	UNDERSHELF CAPACITY	WEIGHT
600MT2424G	24"	24"	24"	18" x 18"	700 lb.	540 lb.	33 lb.
600MT3024G	30"	24"	24"	24" x 18"	700 lb.	540 lb.	35 lb.
600MT3030G	30"	30"	24"	30" x 18"	800 lb.	620 lb.	40 lb.

16 GAUGE STAINLESS STEEL TOPS • 18 GAUGE STAINLESS STEEL UNDERSHELVES & LEGS

ITEM	LENGTH	WIDTH	WORK HEIGHT	UNDERSHELF DIMENSIONS	TOP SHELF CAPACITY	UNDERSHELF CAPACITY	WEIGHT
600MTS2424S	24"	24"	24"	18" x 18"	700 lb.	540 lb.	35 lb.
600MTS3024S	30"	24"	24"	24" x 18"	700 lb.	540 lb.	39 lb.
600MTS3030S	30"	30"	24"	30" x 18"	800 lb.	620 lb.	47 lb.

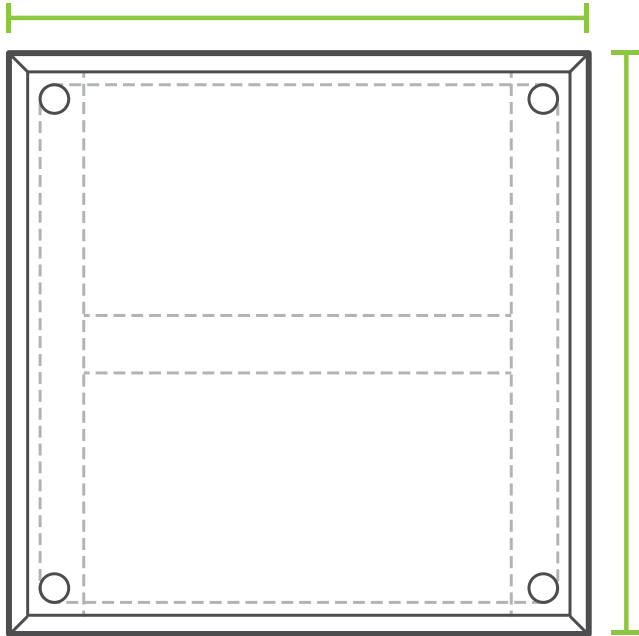
REGENCYTABLESANDSINKS.COM

STAINLESS STEEL
MIXER TABLES
WITH UNDERSHELVES

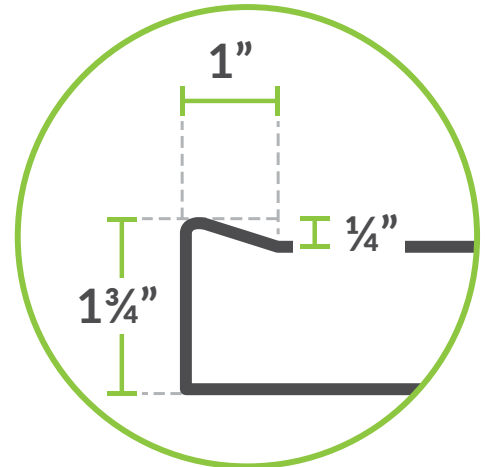
REGENCY
Stainless Steel Commercial
Tables And Sinks



TOP
LENGTH

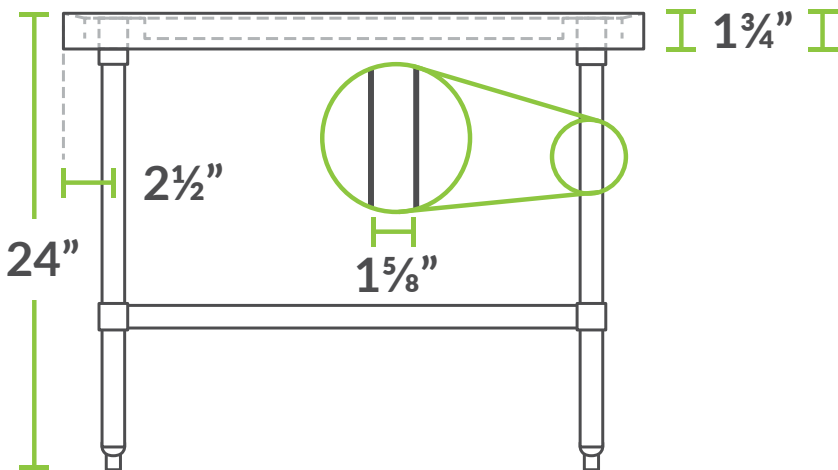


MARINE EDGE



WIDTH

FRONT



SIDE

