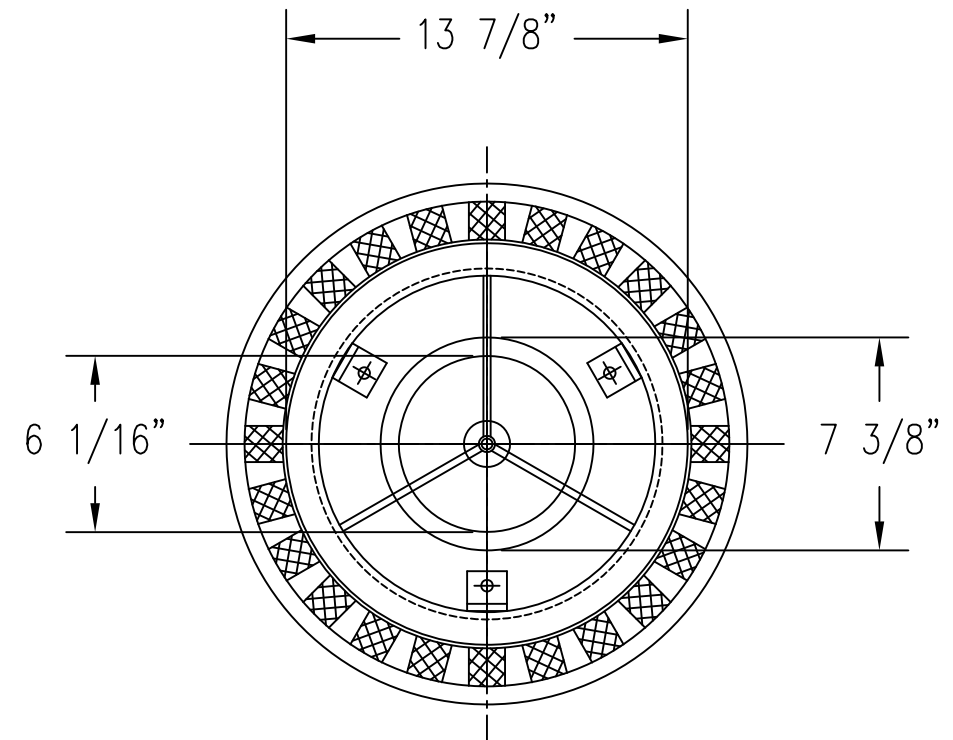


FRONT VIEW



TOP VIEW

REVISIONS						DRAWN BY	JOB	MATERIAL
NO.	DATE	BY	NO.	DATE	BY	L.BE.	JOB NO.	WEIGHT
1			4					
2			5					
3			6					

WAUSAU TILE SITE FURNISHINGS		P.O. BOX 1520 WAUSAU, WISCONSIN 54402-1520 800/380-8728	
		P.O. BOX 967 BANNING, CALIFORNIA 92220 800/231-6536	
UNLESS OTHERWISE SPECIFIED DIMENSIONS ARE IN INCHES		DATE	FINISH OPTIONS
2 PL. \$3.01 3 PL. \$3.005		2-23-09	DWG. NO. MF4005