



Waterloo 12" x 12" x 5 1/2" 18-Gauge Stainless Steel Undermount Sink

#750UM12126

Item #: 750UM12126 Qty: _____

Project: _____

Approval: _____ Date: _____



Features

- Undermount design enables sleek installation for a seamless surface
- Deep drawn 18-gauge type 304 stainless steel construction
- 3 1/2" drain opening
- Comes with sound deadening patches to reduce ambient noise in your kitchen
- Features 2" radius corners for ease of cleaning

Certifications



Technical Data

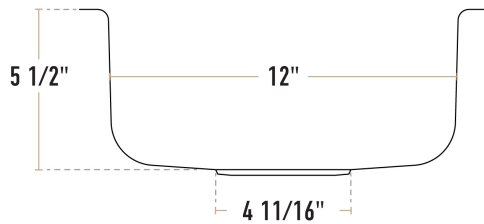
Length	14 Inches
Width	14 Inches
Height	5 1/2 Inches
Bowl Depth	5 1/2 Inches
Bowl Front to Back	12 Inches
Bowl Left to Right	12 Inches
Color	Silver
Corner Radius	2 Inches
Drain Opening	3 1/2 Inches
Edge Style	Rimless

Technical Data

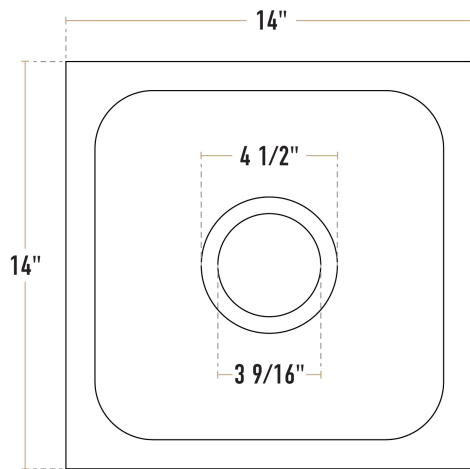
Features	NSF Listed
Gauge	18 Gauge
Installation Type	Undermount
Material	Stainless Steel
Number of Compartments	1 Compartment
Stainless Steel Type	Type 304
Type	Undermount Sinks

Plan View

side view



top view



Notes & Details

Equip your kitchen, prep area, or bar with this Waterloo 12" x 12" x 5 1/2" 18-gauge stainless steel one-compartment undermount sink. This sink features an undermount design. That means it is secured to the bottom of the countertop for a clean, professional, seamless installation. It's perfect for use in a front of the house bar area, or as an addition to a prep area where you need an extra handwashing, utility, or dump sink.

Designed for durability, corrosion resistance, and sanitation, this sink bowl is made of deep-drawn 18-gauge, type 304 stainless steel. It features 2" radius corners that prevent grimy build-up and allow clean rinsing. To help reduce ambient noise in your busy kitchen or bar, this sink comes with sound-deadening patches that are ready to install. Plus, the 3 1/2" drain opening is ready for installation so you can get your new sink up and running.

To get your sink up and running as quickly as possible, this unit comes with the required installation hardware.

⚠ WARNING: This product can expose you to chemicals including lead, which are known to the State of California to cause cancer and birth defects or other reproductive harm. For more information, go to www.p65warnings.ca.gov.