



Waterloo 0.65 GPM Low Profile Wall-Mounted Pre-Rinse Faucet with 8" Centers

#750PRWL8XLF

Item #: 750PRWL8XLF Qty: _____
 Project: _____
 Approval: _____ Date: _____



Features

- 23" hose, 0.65 GPM low flow spray valve
- Wall-mounted design with 8" adjustable centers, 1/2" NPT inlets
- 1/4 turn ceramic cartridges for long life and leak-protection, check valves prevent backflow
- Heavy-duty faucet base and spray valve, chrome-plated brass construction
- 10" riser, low height for height-restricted areas

Certifications

 CSA, US and Canada
  NSF Listed
  1/2" Water Connection

Technical Data

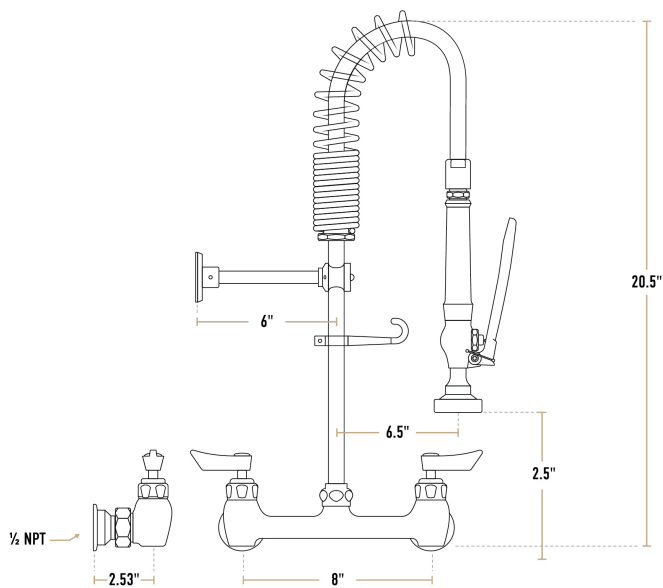
Hose Length	23 Inches
Add-On Faucet	None
Cartridge Type	Ceramic
Faucet Centers	8 Inches
Features	ASME A112.18.1-2018 / CSA B125.1-18 California AB100 Compliant NSF/ANSI 372 NSF/ANSI 61
Handle Type	Lever
Material	Brass

Technical Data

Mounting Style	Wall Mounted
Mounting Type	Adjustable
Pre Rinse Unit Type	Mini Pre-Rinse Faucets
Spout Type	None
Spray Valve Flow Rate	0.65 GPM
Temperature Rating	180 Degrees Fahrenheit
Water Inlet Size	1/2 Inches

Plan View

750PRWL8X 750PRWL8XLF



Notes & Details

Optimize your washing station with the Waterloo wall-mounted low profile pre-rinse faucet with 8" centers and low flow spray valve. This Waterloo wall-mounted pre-rinse faucet is perfect for rinsing excess food and sauces off of your dishes prior to running them through your commercial dish machine. A quality pre-rinse unit is vital to any dish room, removing the heaviest soil deposits so that dishes come out clean and ready to use. Waterloo products provide the industry-leading quality you expect. With heavy chrome-plated brass faucet bodies, ceramic cartridges engineered for durability, and certifications from a wide range of national and local regulatory agencies, you can install Waterloo products with confidence. And to give you total peace of mind, this model comes with a 3-year replacement warranty.

This faucet's reduced height makes it a great fit for commercial kitchens where space is at a premium! Installed on 8" centers, this faucet also has a heavy-duty body that can withstand long-lasting use. This faucet uses ceramic cartridges, which provide a much lower fail rate than the compression cartridges widely used in the industry. In this design, 2 ceramic discs fit together to create a watertight seal when closed. This removes the need for a rubber seat washer, which is one of the most frequently replaced parts on a faucet. It is intended for applications that provide water for warewashing and janitorial / utility use.

⚠ WARNING: This product can expose you to chemicals including lead, which are known to the State of California to cause cancer, birth defects, or other reproductive harm. For more information, go to www.p65warnings.ca.gov.