



## Waterloo Pre-Rinse Add-On Faucet Adapter - 3/8" x 1/2"

#750PRRADAPT

Item #: 750PRRADAPT Qty: \_\_\_\_\_

Project: \_\_\_\_\_

Approval: \_\_\_\_\_ Date: \_\_\_\_\_

### Technical Data

Features	ASME A112.18.1-2018 / CSA B125.1-18 NSF Listed NSF/ANSI 372 NSF/ANSI 61
----------	---

Type	Adapters
------	----------

## Features

- Required to install a Waterloo add-on faucet on pre-rinse units
- Installs between the add-on faucet and pre-rinse riser
- 12mm hex key / Allen wrench required

## Certifications



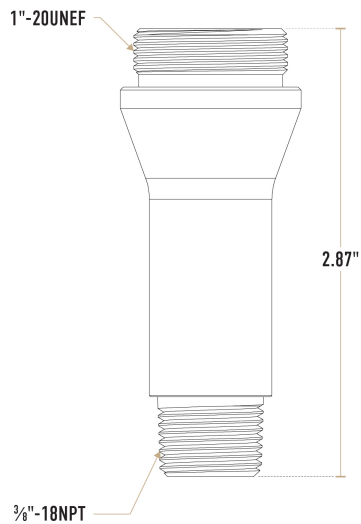
CSA, US and Canada



NSF Listed

# Plan View

---



## Notes & Details

---

This Waterloo pre-rinse faucet adapter allows you to easily attach an add-on faucet to your existing pre-rinse unit. To install it, simply thread it onto the add-on faucet's riser, and then thread the pre-rinse riser into the top of the adapter. A 12mm hex key / Allen wrench (sold separately) is required to tighten the adapter.

This adapter is required to install a Waterloo add-on faucet on any Waterloo pre-rinse faucet that did not come standard with an add-on faucet. It can also be used to install a Waterloo add-on faucet on any pre-rinse faucet with a 1/2" riser connection.

**⚠ WARNING:** This product can expose you to chemicals including lead, which are known to the State of California to cause cancer and birth defects or other reproductive harm. For more information, go to [www.p65warnings.ca.gov](http://www.p65warnings.ca.gov).