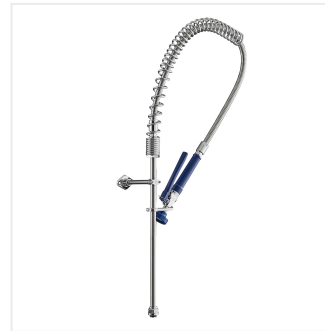




Waterloo 1.15 GPM Pre-Rinse Assembly with Riser, Hose, and Spray Valve

#750PRAXF

Item #: 750PRAXF Qty: _____
 Project: _____
 Approval: _____ Date: _____



Features

- 44" hose, 1.15 GPM spray valve
- Replace / upgrade a pre-rinse assembly, or convert a wall-mount faucet into a pre-rinse
- Chrome-plated brass construction
- 18" riser

Certifications

 CSA, US and Canada
  NSF Listed
  1/2" Water Connection

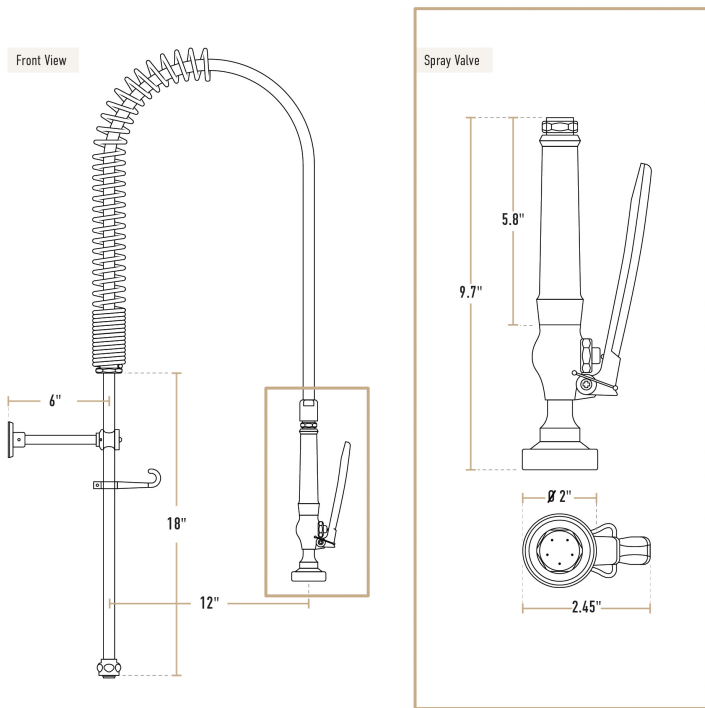
Technical Data

Hose Length	44 Inches
Spout Length	None
Add-On Faucet	None
Cartridge Type	Ceramic
Faucet Centers	Single
Features	ASME A112.18.1-2018 / CSA B125.1-18 California AB100 Compliant NSF Listed NSF/ANSI 372 NSF/ANSI 61

Technical Data

Handle Type	Lever
Material	Brass
Mounting Style	Deck Mounted
Mounting Type	Adjustable
Pre Rinse Unit Type	Hose and Spring
Spout Type	None
Spray Valve Flow Rate	1.15 GPM
Temperature Rating	180 Degrees Fahrenheit
Water Inlet Size	1/2 Inches

Plan View



Notes & Details

This Waterloo pre-rinse assembly is the perfect solution for pre-scrapping dinnerware and glassware before it goes into the dishwasher! A quality pre-rinse unit is vital to any dishroom, removing the heaviest soil deposits so that dishes come out clean and ready to use. Waterloo products provide the industry-leading quality you expect. With heavy chrome-plated brass faucet bodies, ceramic cartridges engineered for durability, and certifications from a wide range of national and local regulatory agencies, you can install Waterloo products with confidence. And to give you total peace of mind, this model comes with a 3-year replacement warranty.

A 44" long flexible hose gives you plenty of reach to deliver water where you need it, letting you handle glassware and dinnerware, or bulky items like pots and pans. The spring has a compressed bottom to provide greater durability and help it retain its shape. The spray valve delivers a flow rate of 1.15 GPM, giving you the power needed to blast away food debris while being easy on your water bill. The heavy-duty valve body is designed with a comfort-grip handle and uses metal components for maximum durability and leak protection.

This pre-rinse assembly comes with an 18" riser, and is a great way to save on repair costs if the faucet body is working fine. Simply remove the old pre-rinse assembly where the riser connects to the faucet base, and replace with this one. It can also be used to convert an 8" center wall mount faucet into a pre-rinse unit, by removing the old faucet spout and replacing with the new assembly. The faucet body is not included.

 **WARNING:** This product can expose you to chemicals including lead, which are known to the State of California to cause cancer, birth defects, or other reproductive harm. For more information, go to www.p65warnings.ca.gov.