



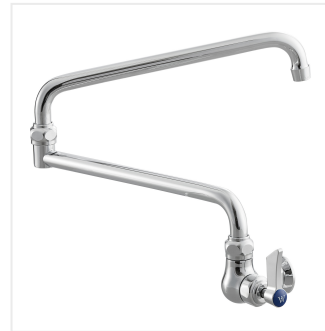
## Waterloo Wall-Mounted Pot and Kettle Filler with Single Inlet and 24" Double-Jointed Swing Spout

#750PF24DJ

Item #: 750PF24DJ Qty: \_\_\_\_\_

Project: \_\_\_\_\_

Approval: \_\_\_\_\_ Date: \_\_\_\_\_



### Features

- 24" double-jointed spout with 2 GPM aerator
- Wall-mounted, single inlet with 1/2" NPT inlet
- Temperature rating 40 - 180 degrees Fahrenheit
- Heavy-duty chrome-plated brass construction

### Certifications



1/2" Water Connection



CSA, US and Canada



NSF Listed

### Technical Data

Spout Length	24 Inches
Faucet Height	8 3/4 Inches
Features	ASME A112.18.1-2018 / CSA B125.1-18 California AB100 Compliant NSF Listed NSF/ANSI 372 NSF/ANSI 61
Flow Rate	2 GPM
Handle Type	4 Arm
Mounting Style	Wall Mounted

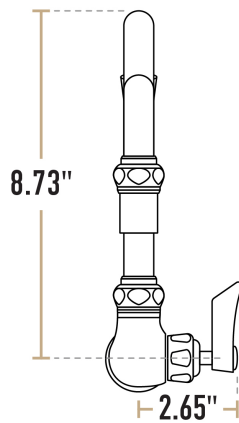
## Technical Data

Spout Clearance	6 3/4 Inches
Spout Type	Double Jointed
Temperature Rating	180 Degrees Fahrenheit
Type	Pot / Kettle Fillers

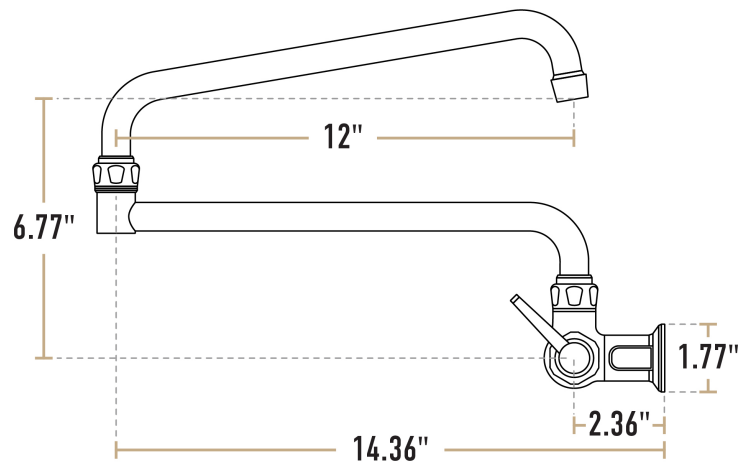
## Plan View

750PF24DJ

Front View



Side View



## Notes & Details

Quickly and easily set up your steam tables and kettles with this Waterloo wall-mounted pot and kettle filler! Waterloo faucets provide the industry-leading quality you expect. With heavy chrome-plated brass faucet bodies, ceramic cartridges engineered for durability, and certifications from a wide range of national and local regulatory agencies, you can install this model with confidence. And to give you total peace of mind, it comes with a 3-year replacement warranty.

This faucet features a 24" double-jointed swing spout that gives greater range of motion than a standard swing nozzle, with the added benefit of allowing you to fold it out of the way to accommodate large, bulky items. A 2 GPM aerator provides a consistent flow rate and minimal splashing. The wall-mounted design is easy to install, and it comes with a single 1/2" NPT inlet.

This faucet uses a ceramic cartridge, which provides a much lower fail rate than the compression cartridges widely used in the industry. In this design, 2 ceramic discs fit together to create a watertight seal when closed. This removes the need for a rubber seat washer, which is one of the most frequently replaced parts on a faucet. A vertical handle makes it easy to turn the water flow on and off.

**⚠ WARNING:** This product can expose you to chemicals including lead, which are known to the State of California to cause cancer, birth defects, or other reproductive harm. For more information, go to [www.p65warnings.ca.gov](http://www.p65warnings.ca.gov).