



Waterloo 10" Long Gooseneck Spout with 2 GPM Aerator

#750GSNZL10

Item #: 750GSNZL10 Qty: _____

Project: _____


Approval: _____ Date: _____



Features

- 10" long x 13" tall gooseneck spout, 2 GPM flow rate
- Replace a broken spout, or change the spout style of your faucet
- Swivel nut connection fits faucets from a wide range of popular brands

Certifications

 CSA, US and Canada
  NSF Listed

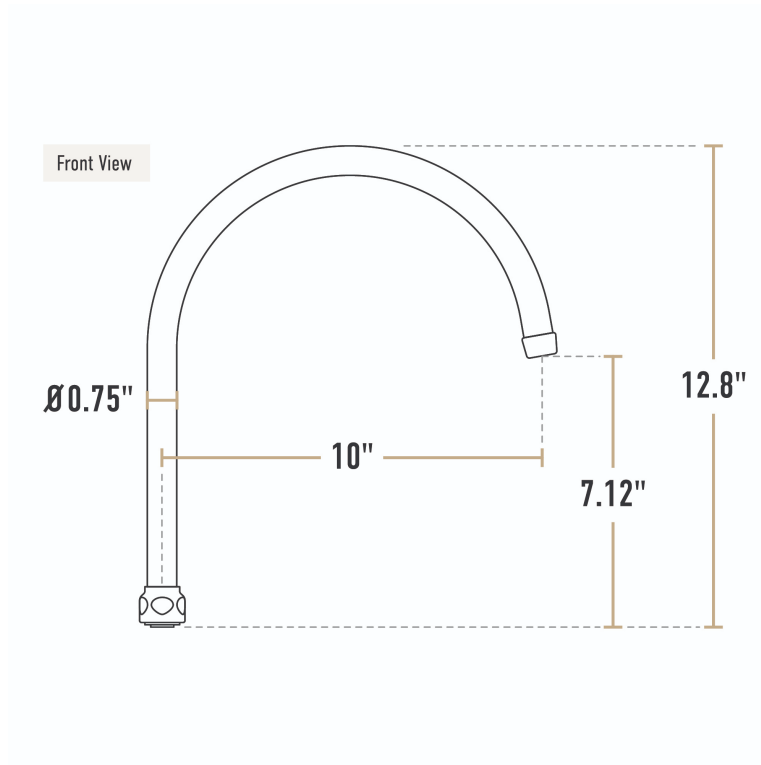
Technical Data

Spout Length	10 Inches
Spout Height	12 13/16 Inches
Features	ASME A112.18.1-2018 / CSA B125.1-18 NSF Listed NSF/ANSI 372 NSF/ANSI 61
Finish	Chrome
Flow Rate	2 GPM
Material	Brass
Spout Clearance	7 1/8 Inches

Technical Data

Spout Type	Gooseneck
Thread Size	55/64"-27 UNS
Type	Nozzles

Plan View



Notes & Details

This Waterloo 13" gooseneck spout is a perfect replacement for the one that came standard on select faucets! The spout is a vital part of your faucet, providing the reach and flexibility to deliver water exactly where it's needed in the sink bowl. Additionally, the high gooseneck-style nozzle adds an extra element of elegance to your water fixture! It measures 13" high with a 10" length and 7 1/8" clearance, and comes with a 2 GPM aerator at the outlet, which helps to regulate the stream and reduce splashing. You can also use it to adjust an existing faucet.

⚠ WARNING: This product can expose you to chemicals including lead, which are known to the State of California to cause cancer and birth defects or other reproductive harm. For more information, go to www.p65warnings.ca.gov.