



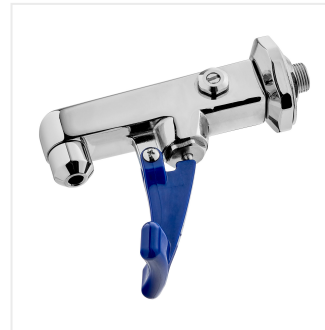
Waterloo Wall Mounted Push Back Glass Filler with 3/8" NPT Male Inlet

#750GFNW38F

Item #: 750GFNW38F Qty: _____

Project: _____

Approval: _____ Date: _____



Features

- Flow rate of 1.2 GPM
- Self-closing lever and volume control outlet help save water
- Features a wall-mounted design
- Easy-to-use lever
- Installs using a 3/8" NPT male inlet

Certifications

 3/8" Water Connection
  CSA, US and Canada
  NSF NSF Listed

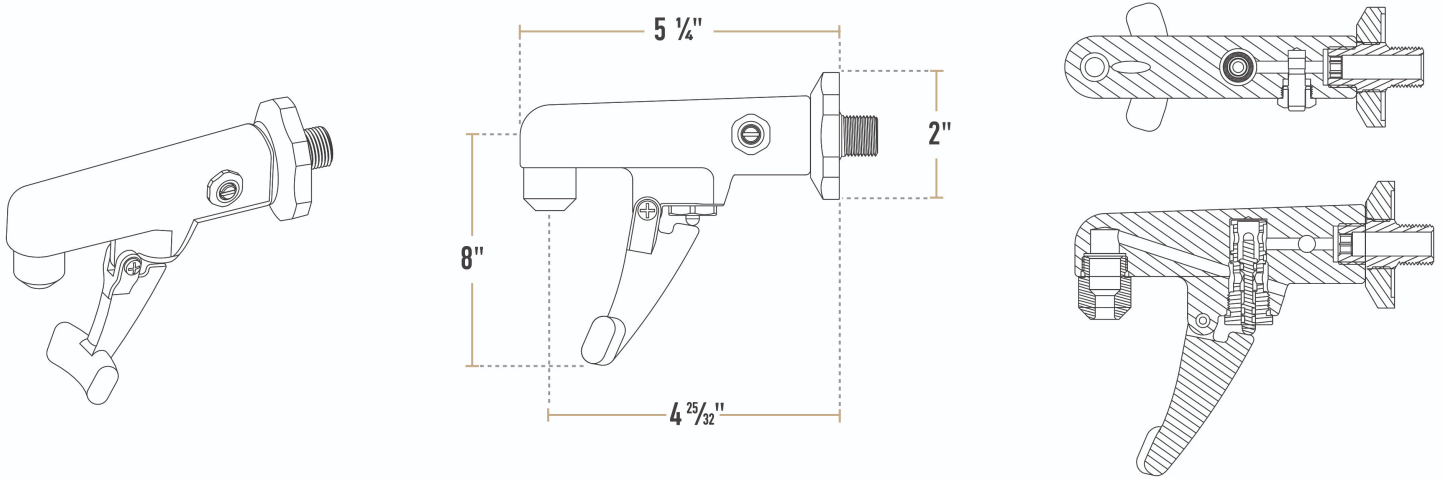
Technical Data

Spout Length	5 1/4 Inches
Faucet Height	3 13/16 Inches
Features	ASME A112.18.1-2018 / CSA B125.1-18 California AB100 Compliant Massachusetts Accepted Plumbing Product NSF Listed NSF/ANSI 372 NSF/ANSI 61
Flow Rate	1.2 GPM
Installation Type	Wall Mounted

Technical Data

Style	Push Back
Type	Glass Fillers
Water Inlet Size	3/8 Inches

Plan View



Notes & Details

This Waterloo wall mounted push back glass filler with 3/8" NPT male inlet is the perfect solution when you need a dedicated area for filling cups with fresh, clean drinking water. It is equipped with a self-closing lever and a volume control outlet to control the amount of water that is dispensed and save water in high-volume businesses. With a dedicated glass filler, you can also give your waitstaff more flexibility by placing it in the most convenient location for your workflow.

An intuitive and familiar lever design makes it easy to use, too - just push the cup back against the lever and it will dispense from the nozzle. It's a great way to improve workflow and ensure all of your customers get a glass of clean, refreshing water. The wall-mounted design and the 3/8" NPT male inlet make it easy to install.

⚠ WARNING: This product can expose you to chemicals including lead, which are known to the State of California to cause cancer, birth defects, or other reproductive harm. For more information, go to www.p65warnings.ca.gov.