



Waterloo 16" Countertop Glass Filler

#750GFN16

Item #: 750GFN16 Qty: _____

Project: _____

Approval: _____ Date: _____



Features

- 16" of clearance, perfect for filling water glasses and pitchers
- Flow rate of 1.2 GPM and 60 PSI
- Works on countertops up to 2" thick
- Installs using a 1/2" NPT male inlet
- Boasts an intuitive lever design

Certifications

 CSA, US and Canada
  NSF Listed
  1/2" Water Connection

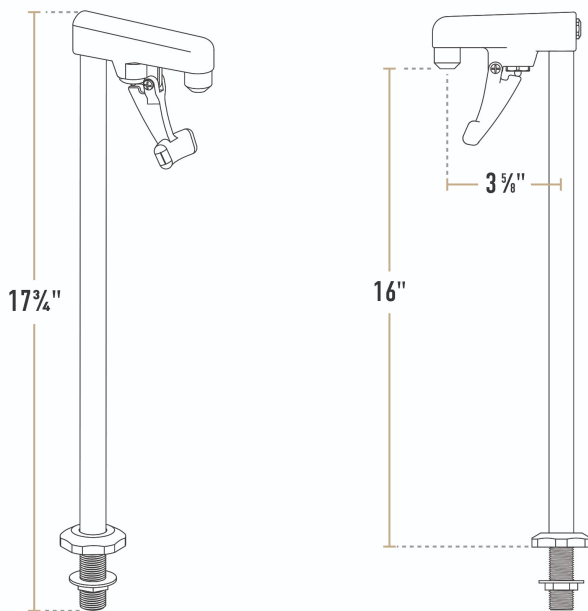
Technical Data

Spout Length	3 5/8 Inches
Faucet Height	17 3/4 Inches
Cutout Diameter	7/8 Inch
Faucet Centers	Single
Features	ASME A112.18.1-2018 / CSA B125.1-18 California AB100 Compliant Massachusetts Accepted Plumbing Product NSF/ANSI 372 NSF/ANSI 61
Flow Rate	1.2 GPM

Technical Data

Installation Type	Deck Mounted
Number of Faucets	1 Faucets
Pressure Rating	60 PSI
Spout Clearance	16 Inches
Style	Push Back
Type	Glass Fillers
Water Inlet Size	1/2 Inches

Plan View



Notes & Details

This Waterloo countertop glass filler is the perfect solution when you need a dedicated area for filling cups with fresh, clean drinking water! Providing 16" of clearance, it boasts plenty of room to accommodate all kinds of glassware, while its deck-mounted design and single hole base make it easy to install. With a dedicated glass filler, you can also give your waitstaff more flexibility by placing it in the most convenient location for your workflow.

An intuitive and familiar lever design makes it easy to use, too - just push the cup back against the lever and it will dispense from the nozzle. It's a great way to improve workflow and ensure all of your customers get a glass of clean, refreshing water. It installs using a 1/2" NPT male inlet. It requires a 7/8" round hole for installation and works on countertops up to 2" thick.

⚠ WARNING: This product can expose you to chemicals including lead, which are known to the State of California to cause cancer, birth defects, or other reproductive harm. For more information, go to www.p65warnings.ca.gov.