



# Waterloo 10" Countertop Glass Filler

#750GFN10

Item #: 750GFN10 Qty: \_\_\_\_\_

Project: \_\_\_\_\_

Approval: \_\_\_\_\_ Date: \_\_\_\_\_



## Features

- 10" of clearance, perfect for filling water glasses and pitchers
- Flow rate of 1.2 GPM and 60 PSI
- Single hole base
- 1/2" NPT inlet
- Rough-in: 7/8" round hole, maximum counter thickness: 2"

## Certifications

 CSA, US and Canada
  NSF Listed
  1/2" Water Connection

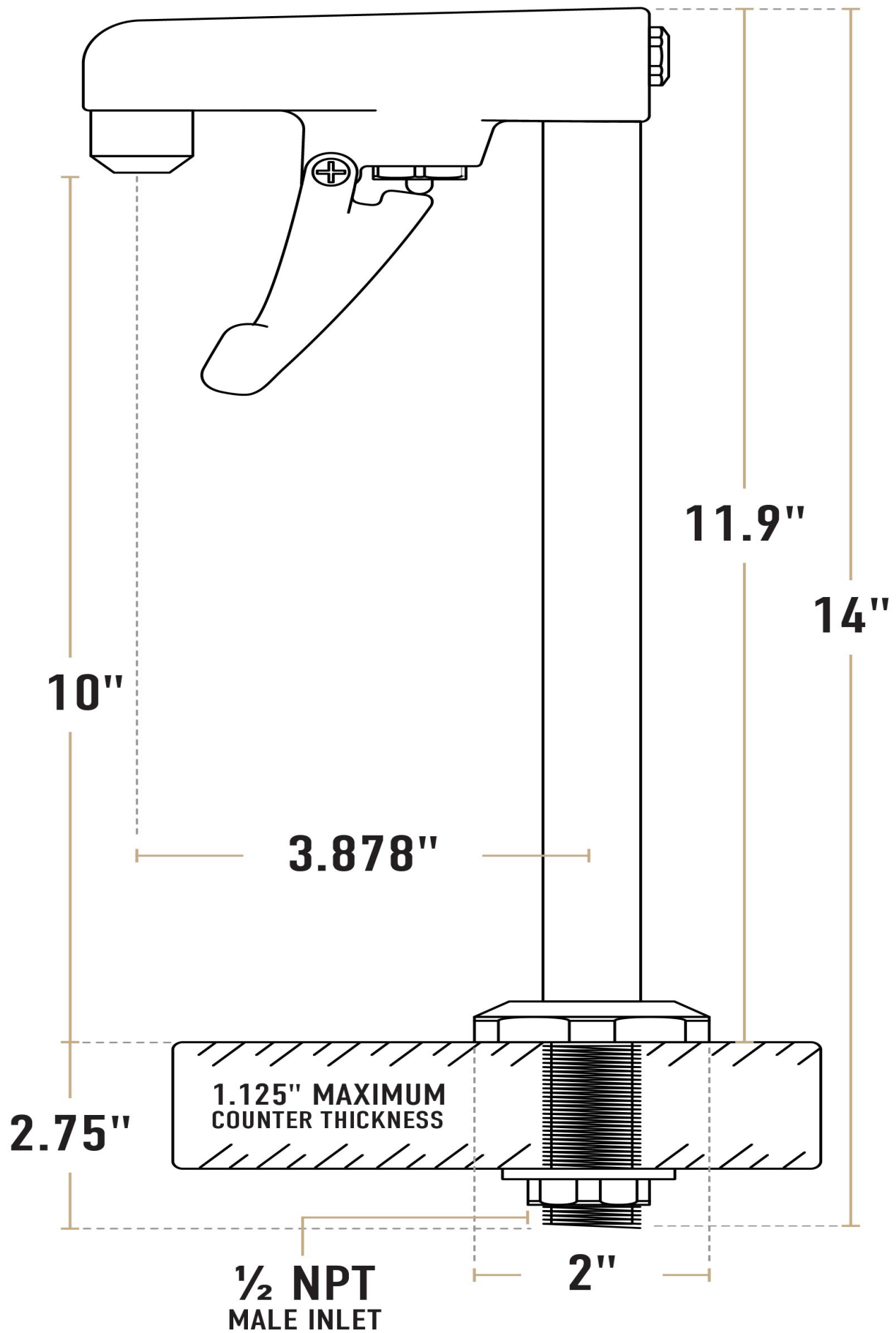
## Technical Data

Spout Length	3 7/8 Inches
Faucet Height	12 Inches
Faucet Centers	Single
Features	ASME A112.18.1-2018 / CSA B125.1-18 California AB100 Compliant NSF/ANSI 372 NSF/ANSI 61
Finish	Chrome
Flow Rate	1.2 GPM
Installation Type	Deck Mounted

## Technical Data

Material	Brass
Number of Faucets	1 Faucets
Pressure Rating	60 PSI
Spout Clearance	10 Inches
Style	Push Back
Type	Glass Fillers
Water Inlet Size	1/2 Inches






**ROUGH-IN REQUIREMENT:**  
Ø 1" MOUNTING HOLE

## Notes & Details

---

This Waterloo countertop glass filler is the perfect solution when you need a dedicated area for filling cups with fresh, clean drinking water! Providing 10" of clearance, it boasts plenty of room to accommodate all kinds of glassware, while its deck-mounted design and single hole base make it easy to install. With a dedicated glass filler, you can also give your waitstaff more flexibility by placing it in the most convenient location for your workflow.

An intuitive and familiar lever design makes it easy to use, too - just push the cup back against the lever and it will dispense from the nozzle. It's a great way to improve workflow and ensure all of your customers get a glass of clean, refreshing water. It installs using a 1/2" NPT male inlet. It requires a 7/8" round hole for installation, and works on countertops up to 2" thick.

 **WARNING:** This product can expose you to chemicals including lead, which are known to the State of California to cause cancer, birth defects, or other reproductive harm. For more information, go to [www.p65warnings.ca.gov](http://www.p65warnings.ca.gov).