



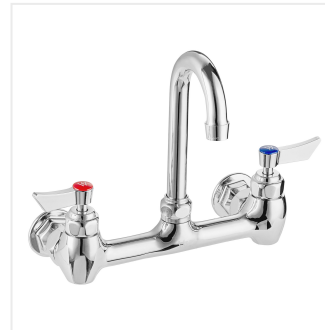
Waterloo Wall Mount Faucet with 3 1/2" Gooseneck Spout and 8" Centers

#750FW84G

Item #: 750FW84G Qty: _____

Project: _____

Approval: _____ Date: _____



Features

- 3 1/2" long gooseneck spout, 2 GPM flow rate
- 8" adjustable centers, 1/2" NPT inlets
- Temperature rating 40 - 180 degrees Fahrenheit
- Heavy-duty chrome-plated brass construction
- Leak-resistant 1/4 turn ceramic cartridges with check valves

Certifications

 CSA, US and Canada
  NSF Listed
  1/2" Water Connection

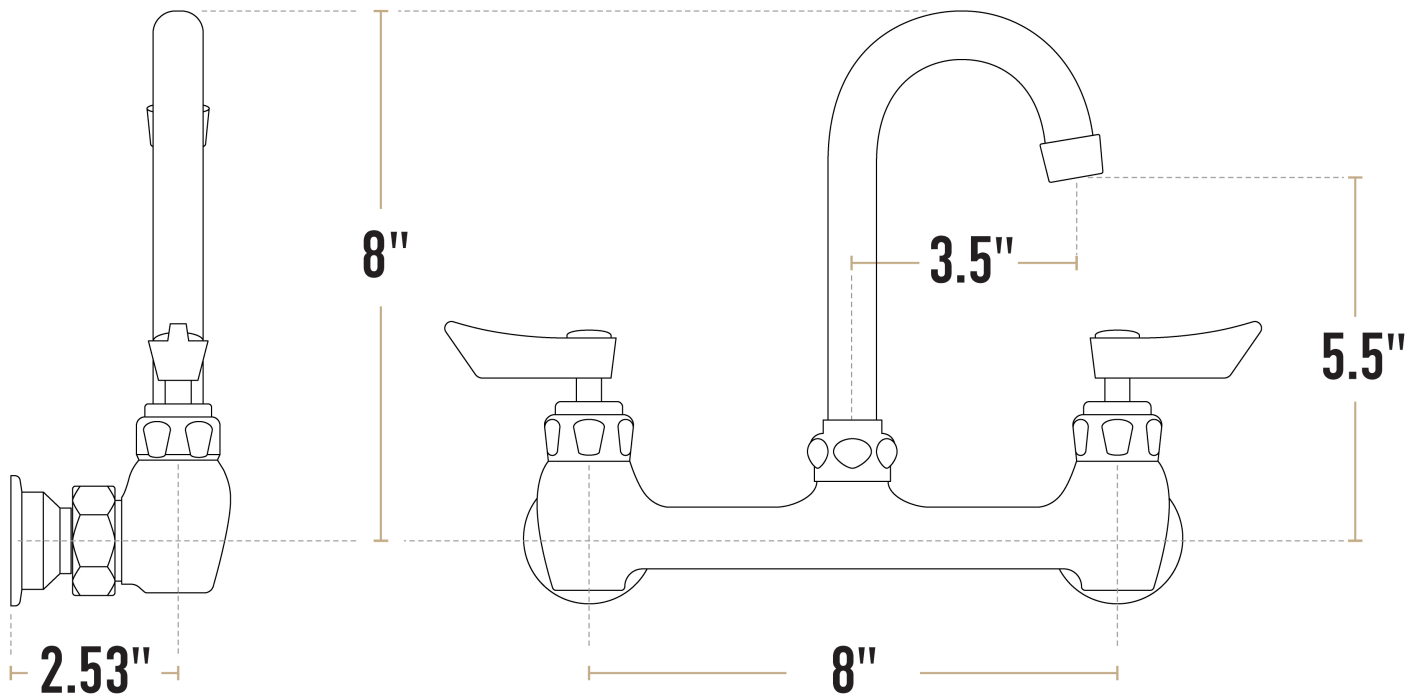
Technical Data

Spout Length	3 1/2 Inches
Faucet Height	8 Inches
Cartridge Type	Ceramic
Faucet Centers	8 Inches
Features	ASME A112.18.1-2018 / CSA B125.1-18 California AB100 Compliant Massachusetts Accepted Plumbing Product NSF/ANSI 372 NSF/ANSI 61
Finish	Chrome

Technical Data

Flow Rate	2 GPM
Handle Type	Lever
Material	Brass
Mounting Style	Wall Mounted
Mounting Type	Adjustable
Spout Clearance	5 1/2 Inches
Spout Type	Gooseneck
Temperature Rating	40 - 180 Degrees Fahrenheit
Type	Faucets
Water Inlet Size	1/2 Inches

Plan View



Notes & Details

This Waterloo wall-mounted faucet is the perfect solution when you need a dependable water fixture in your facility! Waterloo faucets provide the industry-leading quality you expect. With heavy chrome-plated brass faucet bodies, ceramic cartridges engineered for durability, and certifications from a wide range of national and local regulatory agencies, you can install this model with confidence. And to give you total peace of mind, it comes with a 3-year replacement warranty.

This faucet features a 3 1/2" long swivel gooseneck spout that provides a sleek look with plenty of clearance, while a 2 GPM aerator provides a consistent flow rate and minimal splashing. It boasts a set of 8" adjustable centers, while the wall-mounted design is easy to install with 1/2" NPT inlets.

This faucet uses ceramic cartridges, which provide a much lower fail rate than the compression cartridges widely used in the industry. In this design, 2 ceramic discs fit together to create a watertight seal when closed. This removes the need for a rubber seat washer, which is one of the most frequently replaced parts on a faucet. The sturdy lever handle design makes it easy to turn the water flow off and on.

 **WARNING:** This product can expose you to chemicals including lead, which are known to the State of California to cause cancer, birth defects, or other reproductive harm. For more information, go to www.p65warnings.ca.gov.