



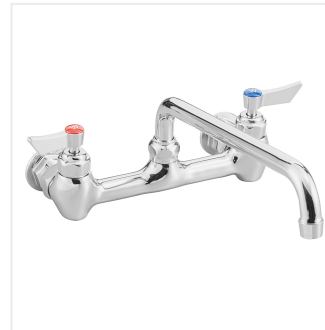
Waterloo Wall-Mounted Faucet with 8" Centers and 12" Swing Spout

#750FW812

Item #: 750FW812 Qty: _____

Project: _____

Approval: _____ Date: _____



Features

- 12" swing spout with 2 GPM aerator
- 8" adjustable centers, 1/2" NPT inlets
- Temperature rating 40 - 180 degrees Fahrenheit
- Heavy-duty, chrome-plated brass construction
- Leak-resistant 1/4 turn ceramic cartridges with check valves

Certifications

 CSA, US and Canada
  NSF Listed
  1/2" Water Connection

Technical Data

| | |
|----------------|--------------------------------------------------------------------------------------------------|
| Spout Length | 12 Inches |
| Faucet Height | 5.630000114440918 Inches |
| Cartridge Type | Ceramic |
| Faucet Centers | 8 Inches |
| Features | ASME A112.18.1-2018 / CSA B125.1-18 California AB100 Compliant NSF/ANSI 372 NSF/ANSI 61 |
| Finish | Chrome |
| Flow Rate | 2 GPM |

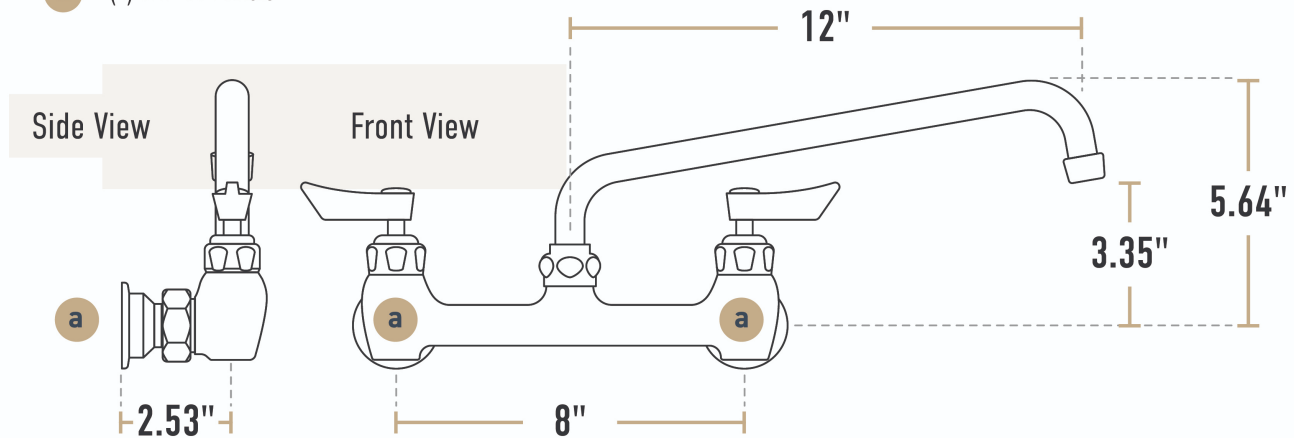
Technical Data

| | |
|--------------------|-----------------------------|
| Handle Type | Lever |
| Material | Brass |
| Mounting Style | Wall Mounted |
| Mounting Type | Adjustable |
| Spout Clearance | 3.309999942779541 Inches |
| Spout Type | Swing |
| Temperature Rating | 40 - 180 Degrees Fahrenheit |
| Type | Faucets |
| Water Inlet Size | 1/2 Inches |

Plan View

Connections

a (2) 1/2" NPT Inlets



Notes & Details

This Waterloo wall-mounted faucet is the perfect solution when you need a dependable water fixture in your facility! Waterloo faucets provide the industry-leading quality you expect. With heavy chrome-plated brass faucet bodies, ceramic cartridges engineered for durability, and certifications from a wide range of national and local regulatory agencies, you can install this model with confidence. And to give you total peace of mind, it comes with a 3-year replacement warranty.

This faucet features a 12" long swing spout that moves easily around the sink bowl, while a 2 GPM aerator provides a consistent flow rate and minimal splashing. It boasts a set of 8" adjustable centers that allow it to match the centers on your sink or mounting surface with ease. The wall-mounted design is easy to install, and it uses 1/2" NPT inlets.

This faucet uses ceramic cartridges, which provide a much lower fail rate than the compression cartridges widely used in the industry. In this design, 2 ceramic discs fit together to create a watertight seal when closed. This removes the need for a rubber seat washer, which is one of the most frequently replaced parts on a faucet. The sturdy lever handle design makes it easy to turn the water flow off and on.

⚠ WARNING: This product can expose you to chemicals including lead, which are known to the State of California to cause cancer, birth defects, or other reproductive harm. For more information, go to www.p65warnings.ca.gov.