



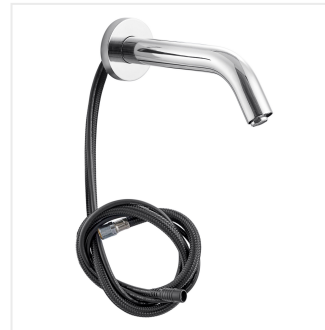
Waterloo Wall-Mounted Hands-Free Sensor Faucet with 8" Spout

#750EFWMSHS

Item #: 750EFWMSHS Qty: _____

Project: _____

Approval: _____ Date: _____




Features

- 4" spout, 1.2 GPM flow rate
- Wall-mounted, single hole base
- Below-deck mixing valve
- Solid chrome-plated brass construction for long life
- Includes AC adapter

Certifications

 3/8" Water Connection
  ADA Compliant
  1-15P

 CSA, US and Canada

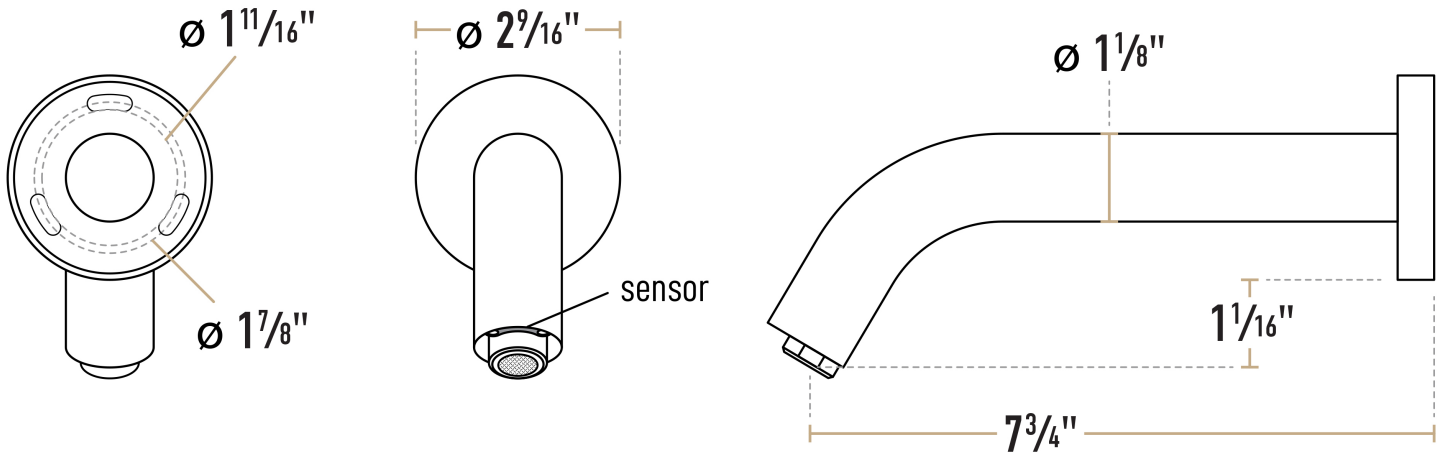
Technical Data

Spout Length	7 3/4 Inches
Battery Type	AA
Faucet Centers	Single
Features	ASME A112.18.1-2018 / CSA B125.1-18 California AB100 Compliant Flex Inlets Included Hands Free Massachusetts Accepted Plumbing Product NSF/ANSI 372 NSF/ANSI 61

Technical Data

Finish	Chrome
Flow Rate	1.2 GPM
Material	Brass
Mounting Holes Required	1 Mounting Hole
Mounting Style	Wall Mounted
Pressure Rating	60 PSI
Spout Clearance	1 1/16 Inches
Spout Type	Cast
Temperature Rating	194 Degrees Fahrenheit
Type	Touchless Faucets
Water Inlet Size	3/8 Inches

Plan View



Notes & Details

This Waterloo wall-mounted hands-free sensor faucet is the perfect solution when you need a dependable water fixture for your facility's restrooms and hand-washing areas! It features a 8" spout and a chrome-plated finish to provide a contemporary and refined look wherever it's installed. This faucet includes an below-deck mixing valve.

This unit has an infrared proximity sensor with a 30 second timeout feature and an adjustable sensor range of 2-15 cm. Because a sensor activates water flow, it has several advantages over a traditional handle-style faucet. It is hands-free, which reduces the opportunity for germs to spread, and it also prevents the faucet from running when it's not needed, which helps to cut down on your water bill. Additionally, the sensor comes with a 30-second timeout feature to prevent sink overflow and ensure water is being used only as needed. This faucet is powered by (4) AA batteries (sold separately), or you can use the optional UL certified AC wall adapter with a level VI efficiency rating. The control box and sensor cable install beneath the countertop for a clean presentation, with easy access when you need to service the faucet.

Waterloo sensor faucets provide the industry-leading quality you expect. With a heavy brass faucet body and certifications from a wide range of national and local regulatory agencies, you can install this model with confidence. And to give you total peace of mind, it comes with a 3-year replacement warranty.

 **WARNING:** This product can expose you to chemicals including lead, which are known to the State of California to cause cancer, birth defects, or other reproductive harm. For more information, go to www.p65warnings.ca.gov.