



Waterloo Deck-Mounted Hands-Free Sensor Faucet with 4 3/4" Cast Spout and 6" Chrome-Plated Faucet Deck Plate

#750EFDMCDP4SS

Item #: 750EFDMCDP4SS Qty: _____

Project: _____




Approval: _____ Date: _____




Features

- 4 3/4" cast spout, 2.2 GPM flow rate, below deck manual mixing valve
- Deck-mounted single base, (1) 18" stainless steel supply line to connect module to faucet
- (2) 18" stainless steel supply lines, 1/2" NPSM female x 3/8" female compression fittings
- Solid chrome-plated brass faucet with chrome-plated stainless steel deck plate for long life
- Includes AC adapter and control module, can operate on batteries

Certifications

 ADA Compliant
  1-15P
  3/8" Water Connection

 CSA, US and Canada

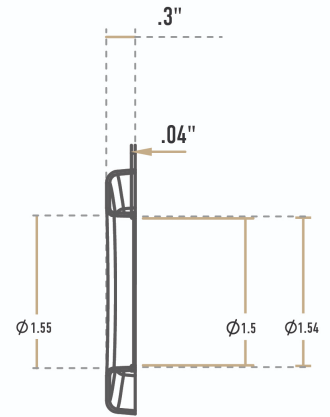
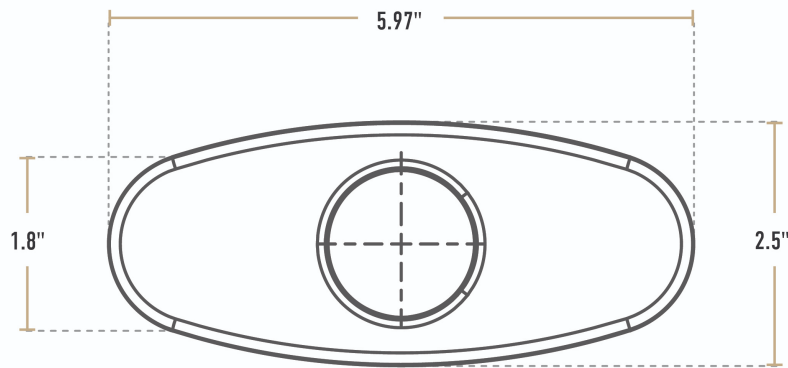
Technical Data

Spout Length	4 3/4 Inches
Faucet Height	4 3/4 Inches
Battery Type	AA
Faucet Centers	Single
Finish	Chrome
Flow Rate	2.2 GPM
Material	Brass
Mounting Holes Required	1 Mounting Hole
Mounting Style	Deck Mounted
Plug Type	NEMA 1-15P

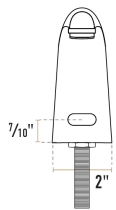
Technical Data

Features	ADA Compliant ASME A112.18.1-2018 / CSA B125.1-18 California AB100 Compliant Flex Inlets Included Hands Free NSF/ANSI 372 NSF/ANSI 61
Spout Clearance	3 3/4 Inches
Spout Type	Cast
Temperature Rating	194 Degrees Fahrenheit
Type	Touchless Faucets
Water Inlet Size	3/8 Inches

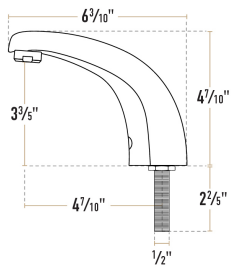
Plan View



Front View



Side View



Top View




Notes & Details

This Waterloo deck mounted hands-free sensor faucet is the perfect solution when you need a dependable water fixture for your facility's restrooms and hand-washing areas! It features a 4 3/4" long cast spout, with a chrome-plated finish and a single hole base to provide a contemporary and refined look wherever it's installed. Plus, it comes with a 6" deck plate. The deck plate is a great way to create a seamless and attractive connection point between your faucet and the countertop. Made from chrome-plated stainless steel, it provides a polished look and superior durability.

This unit has an infrared proximity sensor with a 30 second timeout feature and an adjustable sensor range of 2-21 cm. Because a sensor activates the water flow, it has several advantages over a traditional handle-style faucet. It is hands-free, which reduces the opportunity for germs to spread, and it also prevents the faucet from running when it's not needed, which helps to cut down on your water bill.

The UL certified AC adapter with a level VI efficiency rating provides power for the faucet's control module, which installs below the countertop and connects to the faucet with an 18" flexible supply line. Or, you can also use (4) AA batteries if an outlet isn't convenient, and to provide backup power in case of an outage. A mixing valve also allows you to easily set the output temperature to the desired level. This prevents burned hands from water that is too hot, while still ensuring that the water is warm enough for users to effectively wash their hands. A pair of 18" flexible stainless steel connectors with 1/2" NPSM female x 3/8" female compression fittings connect the mixing valve to your building's water lines.

Waterloo sensor faucets provide the industry-leading quality you expect. With heavy chrome-plated brass faucet bodies and certifications from a wide range of national and local regulatory agencies, you can install this model with confidence. And to give you total peace of mind, it comes with a 3-year replacement warranty.

 **WARNING:** This product can expose you to chemicals including lead, which are known to the State of California to cause cancer, birth defects, or other reproductive harm. For more information, go to www.p65warnings.ca.gov.