



Waterloo 8" Pre-Rinse Add-On Faucet

#750AF8

Item #: 750AF8 Qty: _____

Project: _____



Approval: _____ Date: _____



Features

- 8" spout with 2 GPM aerator
- Makes it easy to fill sink compartments and pails
- Attaches easily to pre-rinse riser assembly

Certifications

 CSA, US and Canada  NSF Listed

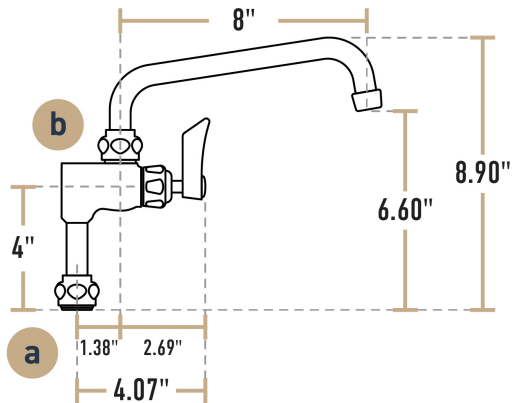
Technical Data

| | |
|-----------------|--|
| Spout Length | 8 Inches |
| Spout Height | 8 15/16 Inches |
| Features | ASME A112.18.1-2018 / CSA B125.1-18 California AB100 Compliant NSF Listed NSF/ANSI 372 NSF/ANSI 61 |
| Flow Rate | 2 GPM |
| Spout Clearance | 6 5/8 Inches |

Technical Data

| | |
|--------------------|------------------------|
| Spout Type | Swing |
| Temperature Rating | 180 Degrees Fahrenheit |
| Type | Add-On Faucets |

Plan View



Connections

- a 1/2" NPT Inlet
- b 3/8" NPT Female Inlet

Notes & Details

This Waterloo 8" pre-rinse add-on faucet is a perfect replacement for the one that came with your Waterloo pre-rinse unit, or you can use it to easily add versatility to a pre-rinse without an add-on faucet. It installs above the faucet base and features an 8" swing spout that is perfect for filling up sink compartments to complete your warewashing tasks. It's also great for mixing up cleaning solutions in sanitation pails.

The top has a 3/8" NPT female connection to let you easily attach the pre-rinse faucet riser.

WARNING: This product can expose you to chemicals including lead, which are known to the State of California to cause cancer, birth defects, or other reproductive harm. For more information, go to www.p65warnings.ca.gov.