



# Waterloo 16" Pre-Rinse Add-On Faucet

#750AF16

Item #: 750AF16 Qty: \_\_\_\_\_

Project: \_\_\_\_\_

Approval: \_\_\_\_\_ Date: \_\_\_\_\_



## Features

- 16" spout with 2 GPM aerator
- Makes it easy to fill sink compartments and pails
- Attaches easily to pre-rinse riser assembly

## Certifications

 CSA, US and Canada  NSF Listed

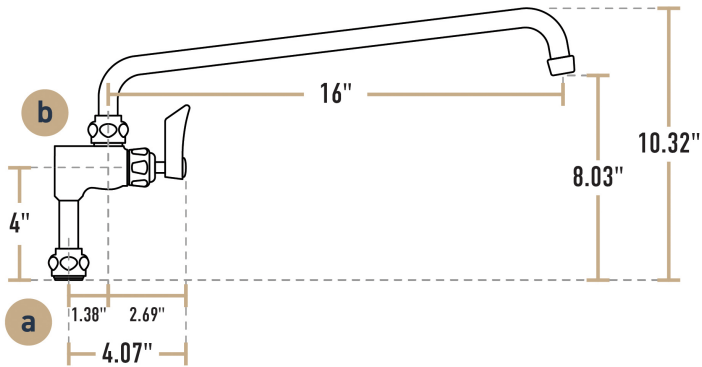
## Technical Data

Spout Length	16 Inches
Spout Height	10 3/8 Inches
Features	ASME A112.18.1-2018 / CSA B125.1-18 NSF Listed NSF/ANSI 372 NSF/ANSI 61
Flow Rate	2 GPM
Spout Clearance	8 1/16 Inches
Spout Type	Swing

## Technical Data

Temperature Rating	180 Degrees F
Thread Size	55/64"-27 UNS
Type	Add-On Faucets

## Plan View



### Connections

- a 1/2" NPT Inlet
- b 3/8" NPT Female Inlet

## Notes & Details

This Waterloo 16" pre-rinse add-on faucet is a perfect replacement for the one that came with your Waterloo pre-rinse unit, or you can use it to easily add versatility to a pre-rinse without an add-on faucet. It installs above the faucet base and features a 16" swing spout that is perfect for filling up sink compartments to complete your warewashing tasks. It's also great for mixing up cleaning solutions in sanitation pails.

The top has a 3/8" NPT female connection to let you easily attach the pre-rinse faucet riser.

**⚠ WARNING:** This product can expose you to chemicals including lead, which are known to the State of California to cause cancer and birth defects or other reproductive harm. For more information, go to [www.p65warnings.ca.gov](http://www.p65warnings.ca.gov).