



Waterloo 14" Pre-Rinse Add-On Faucet

#750AF14

Item #: 750AF14 Qty: _____

Project: _____

Approval: _____ Date: _____



Features

- 14" spout with 2 GPM aerator
- Makes it easy to fill sink compartments and pails
- Attaches easily to pre-rinse riser assembly

Certifications

 CSA, US and Canada  NSF Listed

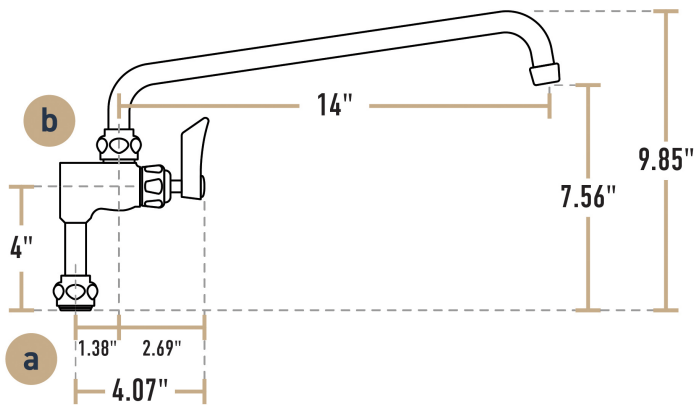
Technical Data

Spout Length	14 Inches
Spout Height	9 7/8 Inches
Features	ASME A112.18.1-2018 / CSA B125.1-18 NSF Listed NSF/ANSI 372 NSF/ANSI 61
Flow Rate	2 GPM
Spout Clearance	7 9/16 Inches
Spout Type	Swing

Technical Data

Temperature Rating	180 Degrees F
Thread Size	55/64"-27 UNS
Type	Add-On Faucets

Plan View



Connections

- a 1/2" NPT Inlet
- b 3/8" NPT Female Inlet

Notes & Details

This Waterloo 14" pre-rinse add-on faucet is a perfect replacement for the one that came with your Waterloo pre-rinse unit, or you can use it to easily add versatility to a pre-rinse without an add-on faucet. It installs above the faucet base and features a 14" swing spout that is perfect for filling up sink compartments to complete your warewashing tasks. It's also great for mixing up cleaning solutions in sanitation pails.

The top has a 3/8" NPT female connection to let you easily attach the pre-rinse faucet riser.

⚠ WARNING: This product can expose you to chemicals including lead, which are known to the State of California to cause cancer and birth defects or other reproductive harm. For more information, go to www.p65warnings.ca.gov.