



WSB265

18" Heavy-Duty Big Stik® 2-Speed Immersion Blender



18" Heavy-Duty Big Stik® 2-Speed Immersion Blender



MAIN FEATURES

- 1 HP, heavy-duty motor
- 750W 2-speed motor – 16,000 & 18,000 RPM
- 35-gallon / 140-quart / 132.4-liter capacity
- Color-changing LED to indicate Hi/LOW speed & status
- ON/OFF rocker switch and ergonomic dual-trigger handle with rubberized comfort grip for added control and reduced fatigue
- Continuous ON feature
- User-replaceable couplings on power pack and shaft
- All-purpose stainless steel blade
- Convenient cord wrap for easy cord storage
- Rubberized comfort grip and second handle for safe and controlled operation
- Completely sealed 18" stainless steel shaft is easily removable and dishwasher safe
- Universal power pack fits all shafts and whisk attachment
- Limited One Year Warranty

SALES FEATURES

The Waring® WSB265 18" Heavy-Duty 2-Speed Immersion Blender delivers powerful, foolproof blending with a rugged motor and interchangeable shafts, including the standard 18" shaft for 35-gallon batches. With two calibrated speeds for consistent results and minimal training, it's the reliable workhorse for fast, repeatable prep without unnecessary complexity.

ELECTRICAL

Voltage: 120

Frequency: 60Hz

Watts: 750

Amps: 6.25

Plug Type: NEMA 5-15P 

Cord Length: 10 feet



@waringproducts

©2026 Waring

314 Ella T. Grasso Avenue, Torrington, CT 06790

Tel. 800-492-7464 • Fax 860-496-9008

waring.com

WSB265



18" Heavy-Duty Big Stik® 2-Speed Immersion Blender WSB265

PARTS & ACCESSORIES



WSB50XST
12" Stainless Steel Shaft



WSBWP
10" Whipping Paddle Set for Heavy-Duty Big Stik® Immersion Blenders



WSB55XST
14" Stainless Steel Shaft



WSB2PP
Heavy-Duty Big Stik® 2-Speed- Power Pack



WSB60XST
16" Stainless Steel Shaft



WSBBC
Big Stik® Immersion Blender Bowl Clamp



WSB65XST
18" Stainless Steel Shaft



WSB01
Wall Hanger for Immersion Blenders



WSB70XST
21" Stainless Steel Shaft

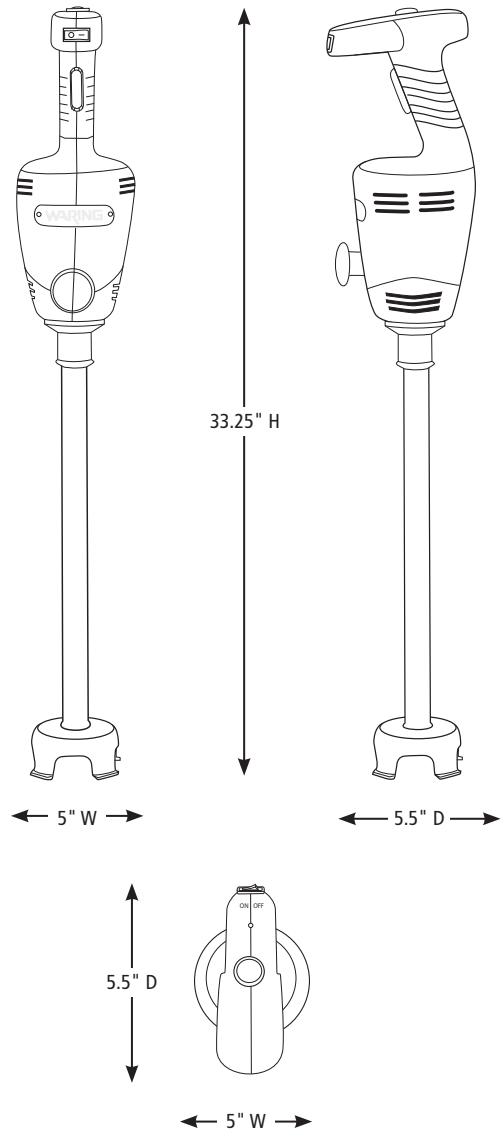


CAC206
Coupling Replacement Kit for Heavy-Duty Big Stik® EvolutionX and 2-Speed



WSB2WX
10" Stainless Steel Whisk Attachment for Big Stik® Immersion Blenders

DIMENSIONS



Out of Box Weight: 11.6 lb.

ORDERING INFORMATION	#STD. PKG.	GIFTBOX WEIGHT	CUBIC FEET	BOX DIMENSIONS D X W X H	UPC	CASE PKG.	MC WEIGHT	MC DIMENSIONS D X W X H	MBC
WSB265 – 18" Heavy-Duty Big Stik® 2-Speed Immersion Blender	1	13.1 lb.	1.127	6.25" x 13.125" x 23.75"	040072107337	2	26.2 lb.	24.125" x 14.125" x 14"	10040072107334



@waringproducts

©2026 Waring
314 Ella T. Grasso Avenue, Torrington, CT 06790
Tel. 800-492-7464 • Fax 860-496-9008

waring.com

25WC96456 / REV 01/26