

StorageBins



TIB-430-A~T-1

A PURPOSE-BUILT ICE BIN – CLEANER BY DESIGN, EASIER TO USE, AND BUILT TO LAST.



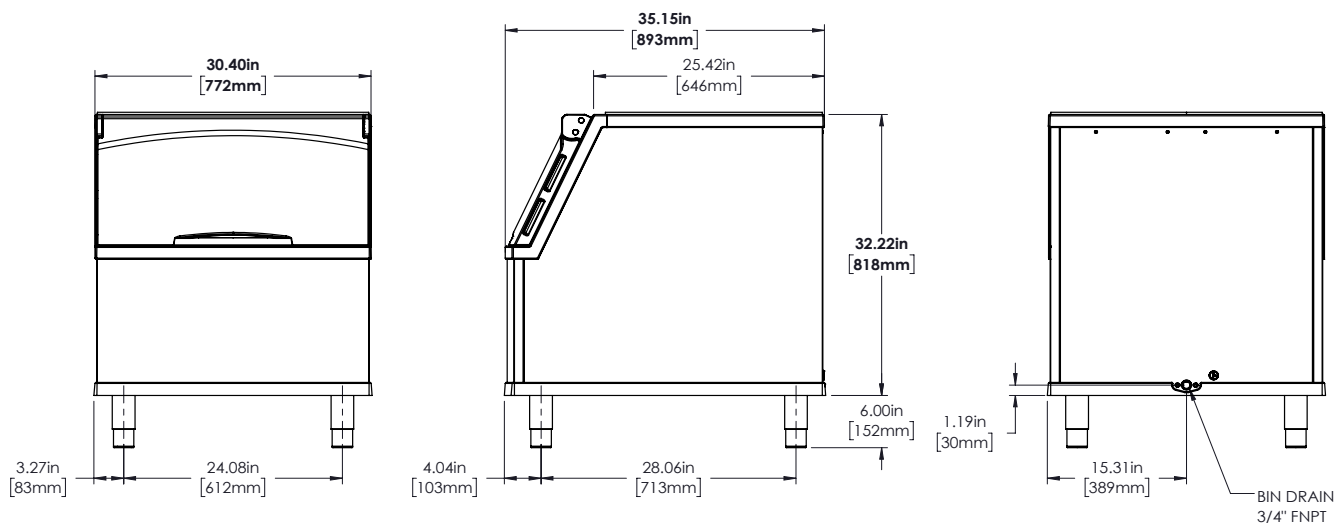
Includes True's exclusive **MAGNASCOOP®**



- **Exterior:** TrueTech® clear-coated aluminum with superior corrosion and fingerprint resistance; antimicrobial bin door.
- **Interior:** 100% antimicrobial bin liner.
- **Insulation:** Environmentally friendly, high-density polyurethane foam for maximum ice retention.
- **Design:** Slow-close hinged door and removable ice baffle.
- **Scoop:** Magnetic MagnaScoop® included; stores inside or outside the bin.

Model	Capacity (lbs)	Dimensions (W x D x H*)	Cubic Volume (ft ³)	Crated Weight (lbs)
TIB-430-A~T-1	365	30" x 35" x 38" (762 x 890 x 965 mm)	12	150
Bin Drain: 3/4" Female NPT				

*Total height includes 6" legs.



Storage Bin | TIB-430-A~T-1



BIN ADAPTERS

8" Bin Top Adapter (Part #228242)

- Designed for use when installing a 22" machine on a 30" bin.

