

Zojirushi Commercial Rice Warmers

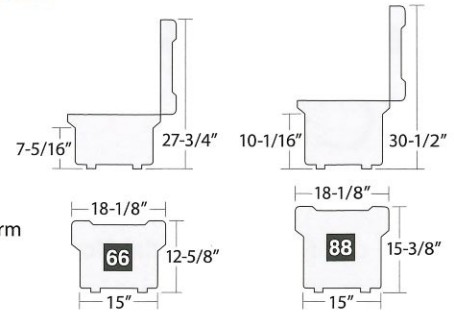
Rice Warmers keep rice tasting fresh and warm at the perfect warming temperature without drying, scorching or yellowing. Zojirushi offers two types: electric and thermal. The electric warmer is ideal for buffets, other self-service environments or in the kitchen, and will keep rice warm up to 12 hours. The thermal warmer is non-electric, making it ideal for holding sushi rice, and for catering or outdoor use.



Electric Rice Warmer

THA-603SA
THA-803SA

1 Serving = 3 oz.



- Most effective way to keep rice tasting fresh for hours
- May also be used to keep other foods warm
- Nonstick inner pan
- Detachable and washable inner lid
- Includes a rice spatula

| Model No. | THA-603SA | THA-803SA |
|-------------------------------|----------------------|------------------|
| Capacity | 6.0 liters | 8.0 liters |
| Electrical Rating | 120 volts / 77 watts | |
| Color | Stainless (-ST) | |
| Master Carton: Piece / Weight | 2 pcs. / 34 lbs. | 2 pcs. / 37 lbs. |
| Replacement Inner Cooking Pan | 6-THA-P142 | 6-THA-P143 |

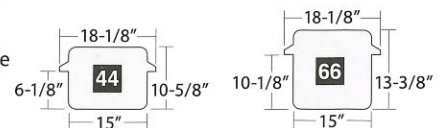


Thermal Rice Warmer

RDS-400
RDS-600

1 Serving = 3 oz.

- Convenient non-electric way to keep foods tasting fresh for hours
- Works well against acidic ingredients such as vinegar and is ideal for holding sushi rice
- Reusable and replaceable dew collecting sponge and sponge holder on lid
- Stackable



| Model No. | RDS-400 | RDS-600 |
|-------------------------------|------------------|------------------|
| Capacity | 4.0 liters | 6.0 liters |
| Heat Retention* | 176°F @ 6 hrs. | 180°F @ 6 hrs. |
| Color | Stainless (-ST) | |
| Master Carton: Piece / Weight | 2 pcs. / 28 lbs. | 2 pcs. / 32 lbs. |

*Rating is based on water at a starting temperature of 203°F (95°C) at a room temperature of 68°F (20°C)



ZOJIRUSHI AMERICA CORPORATION

19310 Pacific Gateway Dr., Suite 101, Torrance, CA 90502

For further information, contact Zojirushi Sales

(800) 264-6270 or (310) 769-4500 | Fax (310) 323-5588 | www.zojirushi.com

The Elephant Logo, Elephant and Zojirushi are registered trademarks of Zojirushi Corporation.

DEALER