



NARROW ICED TEA/COFFEE DISPENSERS

MODEL:TCN

ITEM NO _____

PROJECT _____

DATE _____

FEATURES AT A GLANCE

- **All Domestic Stainless-Steel Construction** – Unit never cracks or discolors.
- **Welded-on Stainless Steel Handle in Front and Hand Grip in Back** – No screws or plastic.
- **Narrow Design** – An ideal dispenser when counter space is limited.
- **Tall Faucet Height** – Generous 8” cup clearance.
- **Great Custom Branding Options** – Colorful merchandising label attracts customers or create custom full wraps for the TCN.
- **Maintained Product Volume** – Despite the condensed dimensions, volume is not compromised.
- **Fits Curtis Brewer Models TCTS and TCTT.**

BREW-THROUGH LID

- **Innovative Brew-Through Lid** offers the convenience of brewing tea without having to remove the lid. The unique design allows the operator to slide the rear cover to the “open” position for brewing and to slide it back to the “closed” position when complete.



Curtis Narrow Beverage Dispensers – Small footprint, large profits.

Offer your customers the best in style and versatility with the TCN narrow beverage dispenser from Curtis. The dispenser features a slim, modern design that works as good as it looks to promote iced/tea coffee sales. Placing two narrow dispensers side by side gives the same footprint as one standard TCO. Unlike some other dispensers, the TCN requires no plastic liner, which can stain and crack over time.

Best of all, the stainless steel vessel is easy to clean and delivers years of dependable service. For iced tea and coffee equipment that lasts, nobody measures up to Curtis.

WC-38472 Iced Coffee Graphic



WC-5686 Drip Tray



SPECIFICATIONS

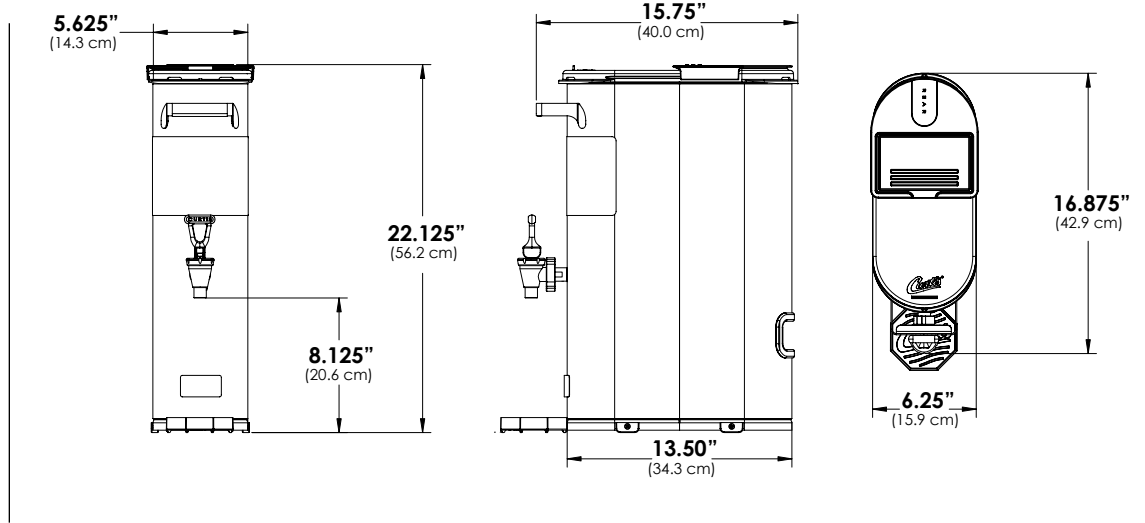
Model No: TCN

Dimensions: 22.125 x 6.250 x 16.875"
H x W x D

Faucet Clearance: 8.125"

Capacity: 3.5 Gallons

Ship Weight: 10 lbs.



WILBUR CURTIS COMPANY, INC.

6913 Acco Street, Montebello, CA 90640-5403

Telephone: 800-421-6150 · 323-837-2300

Fax: 323-837-2406

www.wilburcurtis.com

