

# TC 22 COLORADO - TC 32 COLORADO

Meat grinders, heavy duty



TC 32 Colorado



TC 22 Colorado

- Powerful - up to 3 Hp - and compact for busy environments where space is at a premium.
- Complete stainless steel construction to withstand heavy-duty application and ensure the highest levels of hygiene.
- Fast and easy breakdown and assembly without tools for thorough cleaning.
- High efficiency 2 and 3 Hp air-cooled motors for continuous operation.
- Gear motor with oil-bath transmission and double seal for long-lasting and maintenance-free operation.
- Supplied with one simple cut knife and plate.

## Features

### Technical

- Sealed gear box with hardened gears in oil bath.
- Stainless steel AISI 304 conveying screw and head.
- 5 different plates available (3/16", 7/32", 5/26", 3/8", 9/16").

### Safety

- An interlock stops the machine when removing the feed tray.

### Sanitary

- Head is completely removable for an easy and fast cleaning and sanitation.

## Specifications

<b>Standard plate:</b>	TC 22: 3/16" (4.5 mm.) TC 32: 1/4" (6 mm.)
<b>Motor 22:</b>	1.5 Hp (1100 W), fan cooled.
<b>Motor 32:</b>	2.5 Hp (1870 W), fan cooled.
<b>Electrical 22 Colorado:</b>	120V AC, 60Hz, 13 Amps
<b>Electrical 32 Colorado:</b>	230V AC, 60Hz 1-phase, 4.2 Amps
<b>Plug and Cord:</b>	Attached, flexible, 3 wire, 6'4" long cord. TC 22 Colorado: SJT 14 AWG, NEMA 5-15 P TC 32 Colorado: SJT 14 AWG, NEMA 6-15 P
<b>Controls:</b>	Rotary on/off/reverse



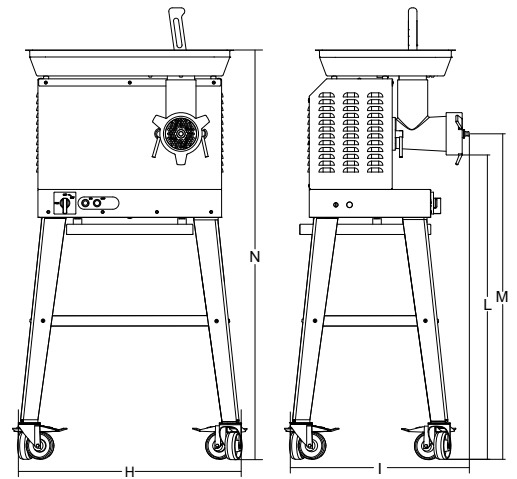
Certified to UL Standard 763 and NSF Standard 08  
 Certified to CSA Standard C22.2



**TC 32 Colorado**  
 with optional 4 legs set with casters



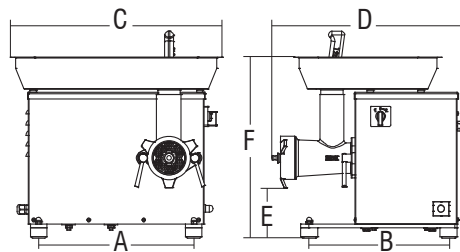
Optional tray support



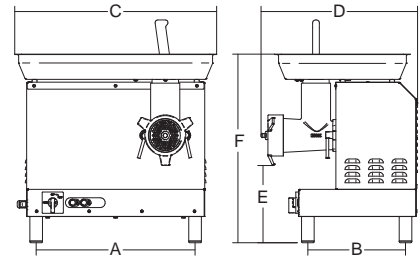
**TC 32 Colorado with optional legs**

- H = inch. 25<sup>45/64</sup>
- I = inch. 20<sup>43/64</sup>
- L = inch. 35<sup>1/8</sup>
- M = inch. 37<sup>9/16</sup>
- N = inch. 47<sup>1/4</sup>

**TC 22 Colorado**



**TC 32 Colorado**



	Power	Power source	TC output/h	Standard plate	A	B	C	D	E	F	Net weight	Shipping	Gross weight
	watt/Hp		lbs./h.	Ø inch.	inch.	inch.	inch.	inch.	inch.	inch.	lbs.	inch.	lbs.
<b>TC 22 Colorado</b>	1050/1.5	120V AC, 60Hz	660	3/16"	14 <sup>29/64</sup> "	12 <sup>63/64</sup> "	18 <sup>37/64</sup> "	18 <sup>11/64</sup> "	4 <sup>11/16</sup> "	16 <sup>57/64</sup> "	80	36" x 36" x 25"	110
<b>TC 32 Colorado</b>	1870/2.5	230V AC, 60Hz +/- 10%	880	1/4"	18 <sup>57/64</sup> "	11 <sup>39/64</sup> "	24 <sup>1/64</sup> "	18 <sup>5/8</sup> "	9 <sup>11/64</sup> "	22 <sup>7/16</sup> "	90	30" x 23" x 32"	125