



STACKABLE ICED TEA DISPENSERS

MODELS: TC15S, TC3S, TC15RS

ITEM NO

PROJECT

DATE

FEATURES AT A GLANCE

- **Heavy Gauge Stainless Steel Construction** – completely welded seams for long-lasting durability.
- **NSF Approved.**
- **Standard Welded Handles** – For easy lifting.
- **Tall Base Design** – 9" clearance makes filling tall iced tea glasses quick and easy.
- **Sloped Tank Bottom with Special Front Drain Design** – Allows complete waste-proof dispensing with no residue.
- **Stainless Steel Faucet Shaft** – Integral to the tank, virtually eliminates leaks and breakage.
- **One-Piece Stackable Plastic Lid.**
- **Available in 1.5, 3 and 5 gal. capacity models.**
- **Remote tea dispenser stand available.**



Legendary Performance, Space Saving Design – Incredibly Easy to Use.

Outstanding quality that out-performs all others!

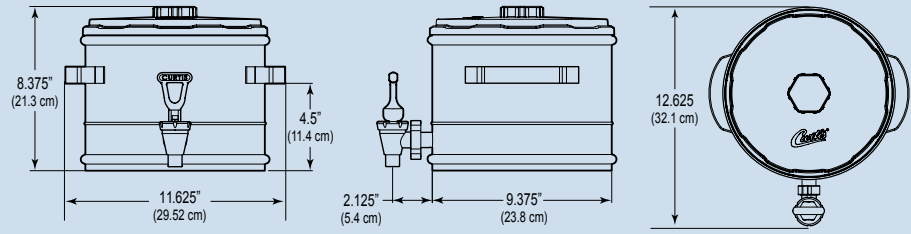
Constructed to withstand the heavy use of busy foodservice operations, Curtis Stainless Steel Iced Tea Dispensers have the durability and performance to keep profits flowing. Attractive styling complements any decor and promotes sales with eye-catching thirst appeal.



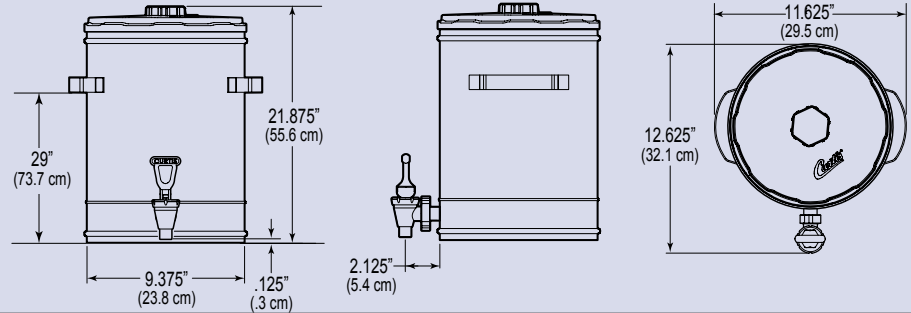
TC15RS Base, TC3S and TC15S

TC15RS Base and three TC15S

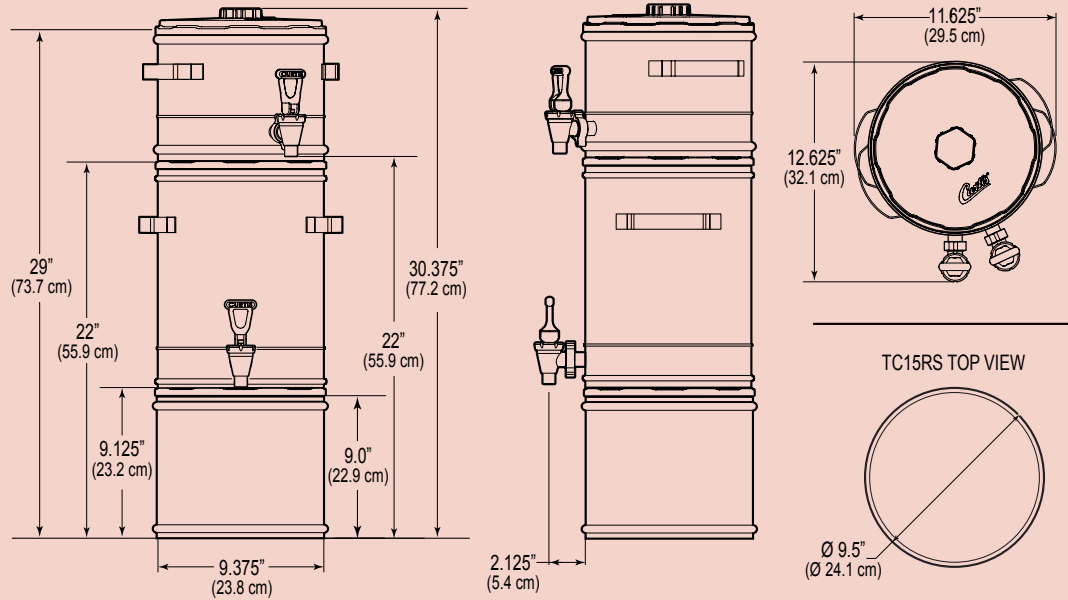
TC15S



TC3S



TC15S TC33S TC15RS



| Specifications | Capacity | Lid Type | Faucet Clearance | Diameter | Over-all Height | Ship Weight |
|-----------------------|-------------|-------------------|------------------|----------|-----------------|-------------|
| TC15S | 1.5 Gallons | Plastic stackable | 9" (with stand) | 9.5" | 8.375" | 4" |
| TC3S | 3 Gallons | Plastic stackable | 9" (with stand) | 9.5" | 21.875" | 7" |
| TC15RS (Remote Stand) | N/A | N/A | N/A | 9.5" | 9" | 3" |



WILBUR CURTIS COMPANY, INC.
 6913 Acco Street, Montebello, CA 90640-5403
 Telephone: 800-421-6150 · 323-837-2300
 Fax: 323-837-2406
 www.wilburcurtis.com

