



Profit from the Eagle Advantage®

Specification Sheet

Short Form Specifications

Eagle Rice Cooker Table, model _____. Top is 16 gauge type 430 stainless steel with all edges turned down 90°. Cutout in top for rice cooker. Two adjustable undershelves—available in galvanized or stainless steel. 1½" O.D. galvanized tubular legs with high impact plastic feet.



rice cooker table



shown with rice cooker
(not sold by Eagle)

Item No.:	_____
Project No.:	_____
S.I.S. No.:	_____

Rice Cooker Tables

MODELS:

- T3224RCB
- T3424RCB
- T3224CRCB
- T3424CRCB

Design and Construction Features

- 16 gauge type 430 stainless steel tabletop, with edges turned down at 90° on all four sides and with cutout for rice cooker.
- Heavy duty zinc-plated gussets.
- Available with 1½" (41mm)-diameter galvanized or stainless steel legs.
- Adjustable high-impact plastic feet.
- Available with either adjustable 18 gauge galvanized or stainless steel undershelves.
- Accommodates most popular brand cookers.

EAGLE GROUP
 100 Industrial Boulevard, Clayton, DE 19938-8903 USA
 Phone: 302-653-3000 • Fax: 302-653-2065
 www.eaglegrp.com

Foodservice Division: Phone 800-441-8440
MHC/Retail Display Divisions: Phone 800-637-5100

For custom configuration or fabrication needs, contact our **SpecFAB® Division**.
 Phone: 302-653-3000 • Fax: 302-653-3091 • e-mail: specfab@eaglegrp.com



EG10.58 Rev. 09/08

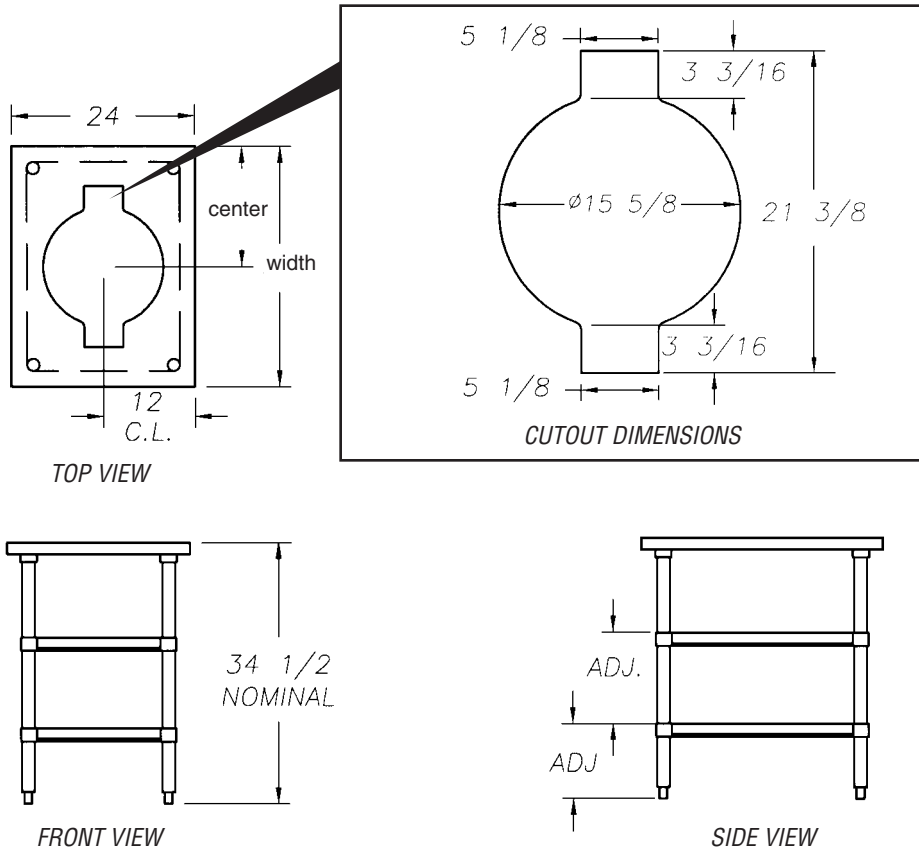
Spec sheets available for viewing, printing or downloading from our online literature library at www.eaglegrp.com

Eagle Foodservice Equipment, Eagle MHC, SpecFAB®, and Retail Display are divisions of Eagle Group. ©2008 by the Eagle Group



Item No.: _____
 Project No.: _____
 S.I.S. No.: _____

Rice Cooker Tables



Tables with Galvanized Legs and Undersheff

model #	width		length		weight	
	in.	mm	in.	mm	lbs.	kg
T3224RCB	32"	813	24"	610	53	24.0
T3424RCB	34"	864	24"	610	56	25.4

Tables with Stainless Steel Legs and Undersheff

model #	width		length		weight	
	in.	mm	in.	mm	lbs.	kg
T3224CRCB	32"	813	24"	610	53	24.0
T3424CRCB	34"	864	24"	610	56	25.4

EAGLE GROUP
 100 Industrial Boulevard, Clayton, DE 19938-8903 USA
 Phone: 302-653-3000 • Fax: 302-653-2065
 www.eaglegrp.com

Foodservice Division: Phone 800-441-8440
 MHC/Retail Display Divisions: Phone 800-637-5100

Printed in U.S.A.
 ©2008 by Eagle Group
 Rev. 09/08

Spec sheets available for viewing, printing or downloading from our online literature library at www.eaglegrp.com

Although every attempt has been made to ensure the accuracy of the information provided, we cannot be held responsible for typographical or printing errors. Information and specifications are subject to change without notice. Please confirm at time of order.