



Profit from the Eagle Advantage®

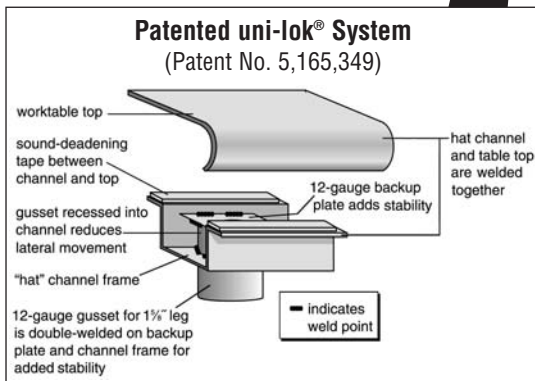
# Specification Sheet

## Short Form Specifications

Eagle worktables, Deluxe series, model \_\_\_\_\_. Top to be constructed of 16/304 stainless steel with 1½" roll on front, 1½" rear upturn, and sides turned down 90°. Open front with 1¼" O.D. galvanized tubular crossbracing on sides and rear. Top reinforced with hat channels and sound deadened. Constructed with uni-lok® patented gusset system with the gussets recessed into the hat channels to reduce lateral movement. Legs to be 1½" O.D. galvanized tubing with galvanized gussets and 1" hi-impact plastic bullet feet.



worktable with upturn and tubular base



Item No.: \_\_\_\_\_  
 Project No.: \_\_\_\_\_  
 S.I.S. No.: \_\_\_\_\_

## Worktables with Rear Upturn and Galvanized Tubular Base —Deluxe Series

### MODELS:

- |                                     |                                      |                                      |                                      |
|-------------------------------------|--------------------------------------|--------------------------------------|--------------------------------------|
| <input type="checkbox"/> UT2424GTEB | <input type="checkbox"/> UT24108GTEB | <input type="checkbox"/> UT3072GTEB  | <input type="checkbox"/> UT3660GTEB  |
| <input type="checkbox"/> UT2430GTEB | <input type="checkbox"/> UT24120GTEB | <input type="checkbox"/> UT3084GTEB  | <input type="checkbox"/> UT3672GTEB  |
| <input type="checkbox"/> UT2436GTEB | <input type="checkbox"/> UT24132GTEB | <input type="checkbox"/> UT3096GTEB  | <input type="checkbox"/> UT3684GTEB  |
| <input type="checkbox"/> UT2448GTEB | <input type="checkbox"/> UT24144GTEB | <input type="checkbox"/> UT30108GTEB | <input type="checkbox"/> UT3696GTEB  |
| <input type="checkbox"/> UT2460GTEB | <input type="checkbox"/> UT3030GTEB  | <input type="checkbox"/> UT30120GTEB | <input type="checkbox"/> UT36108GTEB |
| <input type="checkbox"/> UT2472GTEB | <input type="checkbox"/> UT3036GTEB  | <input type="checkbox"/> UT30132GTEB | <input type="checkbox"/> UT36120GTEB |
| <input type="checkbox"/> UT2484GTEB | <input type="checkbox"/> UT3048GTEB  | <input type="checkbox"/> UT30144GTEB | <input type="checkbox"/> UT36132GTEB |
| <input type="checkbox"/> UT2496GTEB | <input type="checkbox"/> UT3060GTEB  | <input type="checkbox"/> UT3648GTEB  | <input type="checkbox"/> UT36144GTEB |

### Tabletop

- Top reinforced with welded-on hat channel.
- Sound-deadened between top and channels.
- 1½" (38mm) 90° rear upturn with radius at intersection.
- 1½" (41mm)-diameter 180° rolled edge on front. Ends are turned down 90°, providing for flush installations when required.
- 16 gauge type 304 polished stainless steel.

### Crossbracing—1¼" (38mm)-diameter

- Heavy gauge, galvanized.

### Legs—1½" (41mm)-diameter

- Units 96" to 120" (2438 to 3048mm) long come with six legs; Units 132" and 144" (3353 and 3658mm) come with eight legs.
- Patented uni-lok® gusset system (patent #5,165,349) is recessed into channel, reducing lateral movement.
- Heavy gauge galvanized steel.
- Galvanized gussets.
- 1" (25mm) adjustable hi-impact plastic feet.

### Options / Accessories

- |  |  |
|--|--|
| <input type="checkbox"/> Drawer                      | <input type="checkbox"/> Duplex receptacles                            |
| <input type="checkbox"/> Lock                        | <input type="checkbox"/> Pot rack                                      |
| <input type="checkbox"/> Casters                     | <input type="checkbox"/> Sink  |
| <input type="checkbox"/> Stainless steel bullet feet | <input type="checkbox"/> Additional undershelf                         |
| <input type="checkbox"/> Stainless steel gussets     | <input type="checkbox"/> Stabilizer Bar (for 30"- and 36"-wide tables) |
| <input type="checkbox"/> Overshelves                 |  |

**EAGLE GROUP**  
 100 Industrial Boulevard, Clayton, DE 19938-8903 USA  
 Phone: 302-653-3000 • Fax: 302-653-2065  
 www.eaglegrp.com

**Foodservice Division: Phone 800-441-8440**  
**MHC/Retail Display Divisions: Phone 800-637-5100**

For custom configuration or fabrication needs, contact our **SpecFAB® Division**.  
 Phone: 302-653-3000 • Fax: 302-653-3091 • e-mail: specfab@eaglegrp.com

### Certifications / Approvals



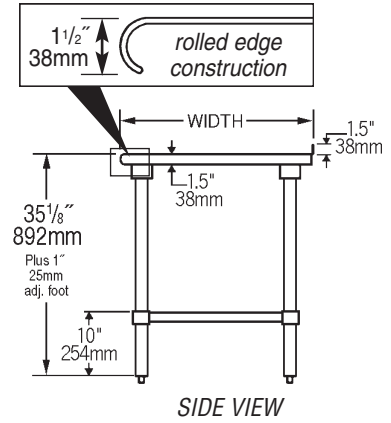
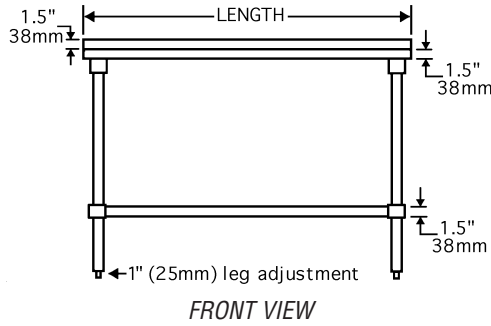
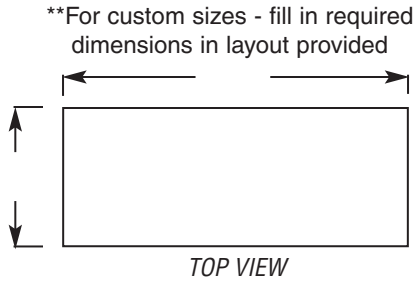
EG10.03B Rev. 07/08

**Spec sheets available for viewing, printing or downloading from our online literature library at [www.eaglegrp.com](http://www.eaglegrp.com)**



Item No.: \_\_\_\_\_  
 Project No.: \_\_\_\_\_  
 S.I.S. No.: \_\_\_\_\_

# Worktables with Rear Uprturn and Galvanized Tubular Base —Deluxe Series



| model #     | # of legs | width |     | length |      | weight |      |
|-------------|-----------|-------|-----|--------|------|--------|------|
|             |           | in.   | mm  | in.    | mm   | lbs.   | kg   |
| UT2424GTBE  | 4         | 24"   | 610 | 24"    | 610  | 40     | 18.1 |
| UT2430GTBE  | 4         | 24"   | 610 | 30"    | 762  | 45     | 20.4 |
| UT2436GTBE  | 4         | 24"   | 610 | 36"    | 914  | 50     | 22.7 |
| UT2448GTBE  | 4         | 24"   | 610 | 48"    | 1219 | 60     | 27.2 |
| UT2460GTBE  | 4         | 24"   | 610 | 60"    | 1524 | 70     | 31.8 |
| UT2472GTBE  | 4         | 24"   | 610 | 72"    | 1829 | 80     | 36.3 |
| UT2484GTBE  | 4         | 24"   | 610 | 84"    | 2134 | 90     | 40.8 |
| UT2496GTBE  | 6         | 24"   | 610 | 96"    | 2438 | 100    | 45.4 |
| UT24108GTBE | 6         | 24"   | 610 | 108"   | 2743 | 110    | 49.9 |
| UT24120GTBE | 6         | 24"   | 610 | 120"   | 3048 | 120    | 54.4 |
| UT24132GTBE | 8         | 24"   | 610 | 132"   | 3353 | 130    | 59.0 |
| UT24144GTBE | 8         | 24"   | 610 | 144"   | 3658 | 140    | 63.5 |
| UT3030GTBE  | 4         | 30"   | 762 | 30"    | 762  | 50     | 22.7 |
| UT3036GTBE  | 4         | 30"   | 762 | 36"    | 914  | 53     | 24.0 |
| UT3048GTBE  | 4         | 30"   | 762 | 48"    | 1219 | 57     | 25.9 |
| UT3060GTBE  | 4         | 30"   | 762 | 60"    | 1524 | 67     | 30.4 |
| UT3072GTBE  | 4         | 30"   | 762 | 72"    | 1829 | 77     | 34.9 |
| UT3084GTBE  | 4         | 30"   | 762 | 84"    | 2134 | 87     | 39.5 |
| UT3096GTBE  | 6         | 30"   | 762 | 96"    | 2438 | 97     | 44.0 |
| UT30108GTBE | 6         | 30"   | 762 | 108"   | 2743 | 107    | 48.5 |
| UT30120GTBE | 6         | 30"   | 762 | 120"   | 3048 | 117    | 53.1 |
| UT30132GTBE | 8         | 30"   | 762 | 132"   | 3353 | 127    | 57.6 |
| UT30144GTBE | 8         | 30"   | 762 | 144"   | 3658 | 137    | 62.1 |
| UT3648GTBE  | 4         | 36"   | 914 | 48"    | 1219 | 61     | 27.7 |
| UT3660GTBE  | 4         | 36"   | 914 | 60"    | 1524 | 72     | 32.7 |
| UT3672GTBE  | 4         | 36"   | 914 | 72"    | 1829 | 85     | 38.6 |
| UT3684GTBE  | 4         | 36"   | 914 | 84"    | 2134 | 97     | 44.0 |
| UT3696GTBE  | 6         | 36"   | 914 | 96"    | 2438 | 109    | 49.4 |
| UT36108GTBE | 6         | 36"   | 914 | 108"   | 2743 | 121    | 54.9 |
| UT36120GTBE | 6         | 36"   | 914 | 120"   | 3048 | 133    | 60.3 |
| UT36132GTBE | 8         | 36"   | 914 | 132"   | 3353 | 145    | 65.8 |
| UT36144GTBE | 8         | 36"   | 914 | 144"   | 3658 | 157    | 71.2 |

**EAGLE GROUP**  
 100 Industrial Boulevard, Clayton, DE 19938-8903 USA  
 Phone: 302-653-3000 • Fax: 302-653-2065  
 www.eaglegrp.com

Foodservice Division: Phone 800-441-8440  
 MHC/Retail Display Divisions: Phone 800-637-5100

Printed in U.S.A.  
 ©2008 by Eagle Group  
 Rev. 07/08

Spec sheets available for viewing, printing or downloading from our online literature library at [www.eaglegrp.com](http://www.eaglegrp.com)

Although every attempt has been made to ensure the accuracy of the information provided, we cannot be held responsible for typographical or printing errors. Information and specifications are subject to change without notice. Please confirm at time of order.