



**T&S BRASS AND BRONZE WORKS, INC.**  
 2 Saddleback Cove / P.O. Box 1088  
 Travelers Rest, SC 29690

Model No.  
**B-3305**

Item No.

Travelers Rest, SC: 800-476-4103 • Simi Valley, CA: 800-423-0150 • Fax: 864-834-3518 • www.tsbrass.com

This Space for Architect/Engineer Approval

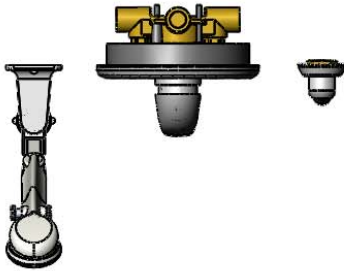
Job Name \_\_\_\_\_ Date \_\_\_\_\_

Model Specified \_\_\_\_\_ Quantity \_\_\_\_\_

Customer/Wholesaler \_\_\_\_\_

Contractor \_\_\_\_\_

Architect/Engineer \_\_\_\_\_



Removable Hand Held Spray  
 w/ 2.0 GPM Flow Control Device  
 Installed in Handle Inlet.  
 Thumb Valve Switches Between  
 2.0 GPM and 0.5 GPM

23 3/16"  
 [589mm]

Ø 6 13/16"  
 [173mm]

2 1/4"  
 [57mm]  
 Square

B-0940  
 Vertical Assist Bar  
 w/ Mounting Screws

Hose Wall Outlet  
 w/ Ø 2" [52mm]  
 Flange

Alternate Spray  
 Position

Adjustable Height  
 Bracket Holds  
 Spray at 2 Angles

B-0925  
 Shower Queen  
 Assembly w/  
 Vertical Assist Bar

B-3304  
 Pressure Balanced  
 Shower Valve w/  
 Adjustable Temp.  
 Limit Stop

60" [1524mm]  
 Stainless Steel  
 Flex Hose

11 3/8"  
 [288mm]

8 7/16"  
 [214mm]

Finished Wall  
 Exterior

2 7/8"  
 [73mm]

3/8" NPT  
 Female  
 Inlet

2 7/16"  
 [61mm]

1 7/8"  
 [48mm]

1/2" NPT Female  
 (Typ 4 Places)

Product Specifications:  
 Pressure Balance Shower Valve (ASSE 1016), Shower Queen  
 Handheld Spray Assembly and Vertical Assist Bar

Drawn

DMH

Checked

KJG

Approved

JHB

Scale:

1:8

Date:

01/16/13



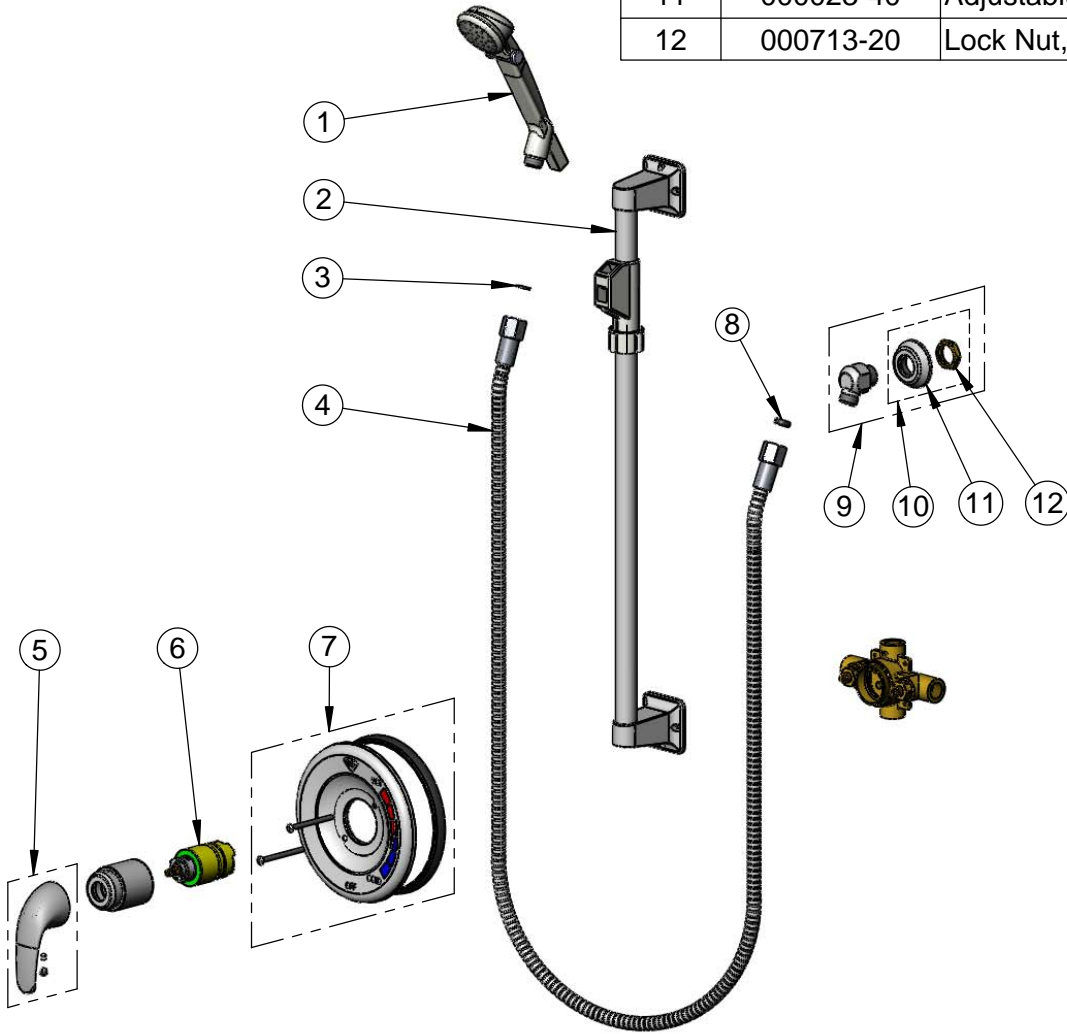
**T&S BRASS AND BRONZE WORKS, INC.**  
 2 Saddleback Cove / P.O. Box 1088  
 Travelers Rest, SC 29690

Model No.  
**B-3305**

Item No.

Travelers Rest, SC: 800-476-4103 • Simi Valley, CA: 800-423-0150 • Fax: 864-834-3518 • www.tsbrass.com

| ITEM NO. | SALES NO. | DESCRIPTION                        |
|----------|-----------|------------------------------------|
| 1        | SQ-0095   | Handle, Shower Queen               |
| 2        | B-0940    | Vertical Assist Bar w/ Bracket     |
| 3        | 009037-45 | Face Seal                          |
| 4        | SQ-0101   | 60" Flex Stainless Steel Hose      |
| 5        | 017443-45 | Handle w/ Set Screw & Temp. Index  |
| 6        | 017441-45 | PBV Cartridge Assembly             |
| 7        | 017444-45 | PBV Cover Plate Assembly           |
| 8        | 010476-45 | #27 Washer                         |
| 9        | SQ-0093   | Wall Outlet Assembly               |
| 10       | 016782-40 | Adjustable Wall Flange w/ Lock Nut |
| 11       | 000023-40 | Adjustable Wall Flange             |
| 12       | 000713-20 | Lock Nut, B-1200                   |



Product Specifications:  
 Pressure Balance Shower Valve (ASSE 1016), Shower Queen  
 Handheld Spray Assembly and Vertical Assist Bar

|                      |                       |                          |
|----------------------|-----------------------|--------------------------|
| Drawn<br><b>DMH</b>  | Checked<br><b>KJG</b> | Approved<br><b>JHB</b>   |
| Scale:<br><b>NTS</b> |                       | Date:<br><b>01/16/13</b> |