



# T&S BRASS AND BRONZE WORKS, INC.

2 Saddleback Cove / P.O. Box 1088  
Travelers Rest, SC 29690

Model No.

**B-3304**

Item No.

Travelers Rest, SC: 800-476-4103 • Simi Valley, CA: 800-423-0150 • Fax: 864-834-3518 • www.tsbrass.com

This Space for Architect/Engineer Approval

Job Name \_\_\_\_\_ Date \_\_\_\_\_

Model Specified \_\_\_\_\_ Quantity \_\_\_\_\_

Customer/Wholesaler \_\_\_\_\_

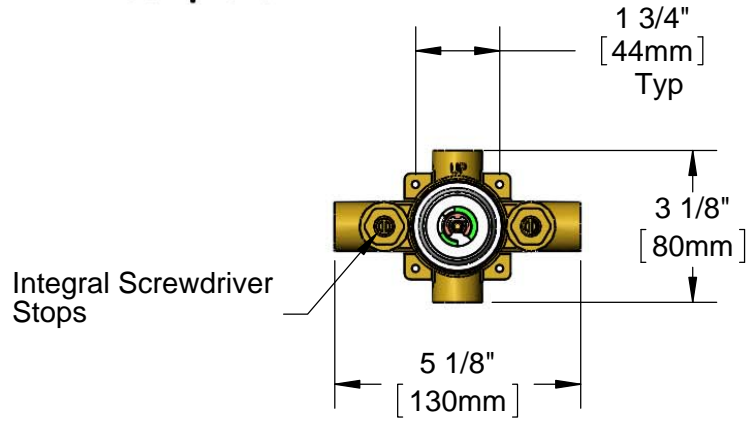
Contractor \_\_\_\_\_

Architect/Engineer \_\_\_\_\_



**ADA Compliant**

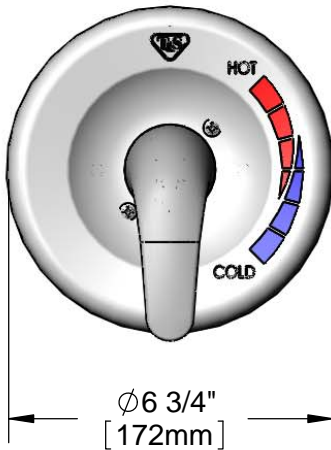
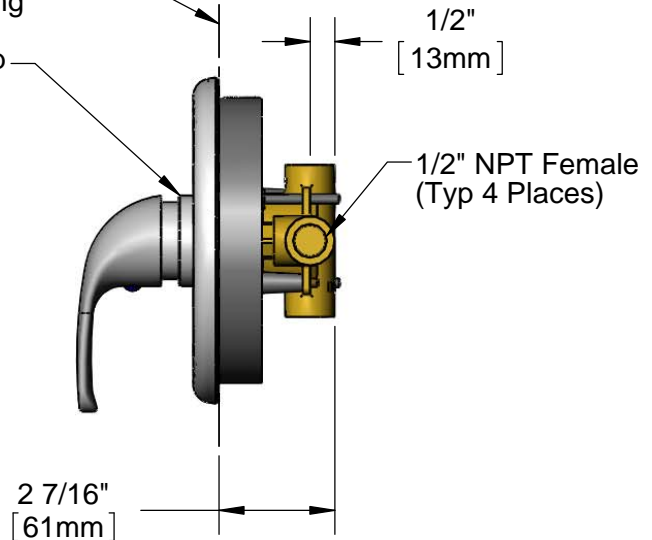
**Precautionary Note:**  
Shower valve should not be utilized with low-flow shower heads.



Mixing Valve Detail

Finished Wall Exterior

Pressure Balance Mixing Valve w/ Adjustable Temperature Limit Stop



Product Specifications:  
Pressure Balance Shower Valve (ASSE 1016) w/ Adjustable Temperature Limit Stop & Cover Plate Assembly, 1/2" NPT Female Inlets & Outlets

Drawn  
**KJG**

Checked  
**DMH**

Approved  
**JHB**

Scale:  
**1:4**

Date:  
**10/24/12**



**T&S BRASS AND BRONZE WORKS, INC.**

2 Saddleback Cove / P.O. Box 1088

Travelers Rest, SC 29690

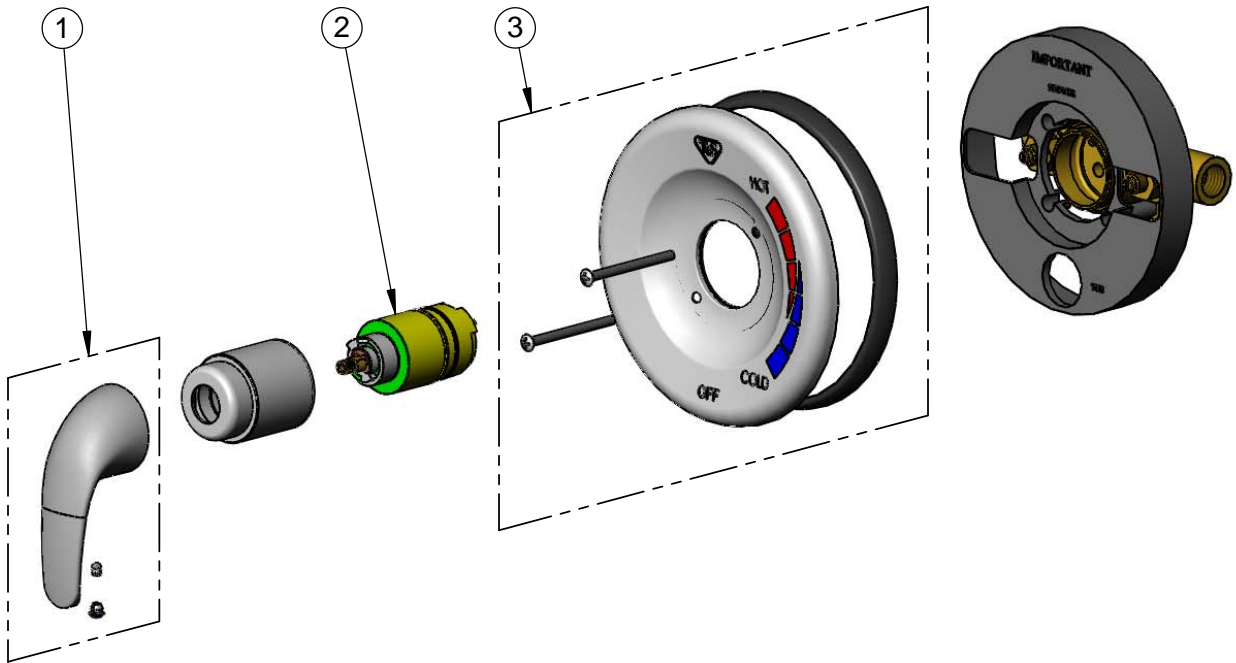
Model No.

**B-3304**

Item No.

Travelers Rest, SC: 800-476-4103 • Simi Valley, CA: 800-423-0150 • Fax: 864-834-3518 • www.tsbrass.com

ITEM NO.	SALES NO.	DESCRIPTION
1	017443-45	Handle w/ Set Screw & Temp. Index
2	017441-45	PBV Cartridge Assembly
3	017444-45	PBV Cover Plate Assembly



Product Specifications:  
 Pressure Balance Shower Valve (ASSE 1016) w/ Adjustable  
 Temperature Limit Stop & Cover Plate Assembly,  
 1/2" NPT Female Inlets & Outlets

Drawn <b>KJG</b>	Checked <b>DMH</b>	Approved <b>JHB</b>
Scale: <b>NTS</b>		Date: <b>10/24/12</b>