



T&S BRASS AND BRONZE WORKS, INC.

2 Saddleback Cove / P.O. Box 1088
Travelers Rest, SC 29690

Model No.

B-3304-PBV

Item No.

Travelers Rest, SC: 800-476-4103 • Simi Valley, CA: 800-423-0150 • Fax: 864-834-3518 • www.tsbrass.com

This Space for Architect/Engineer Approval

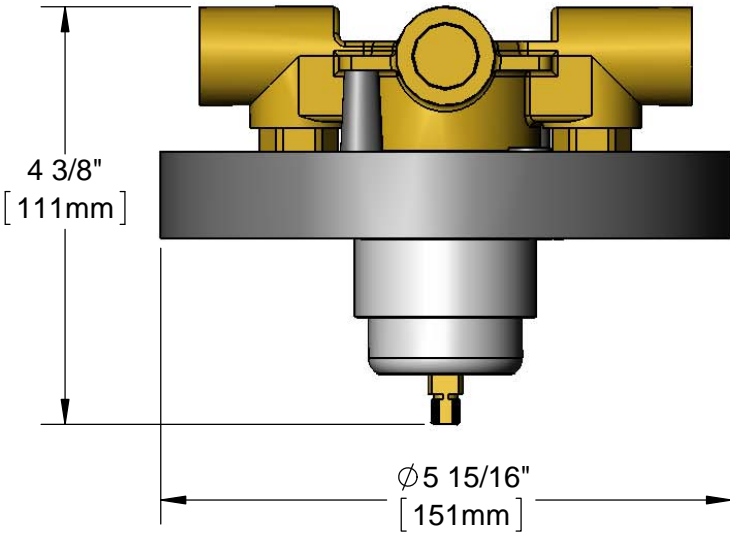
Job Name _____ Date _____

Model Specified _____ Quantity _____

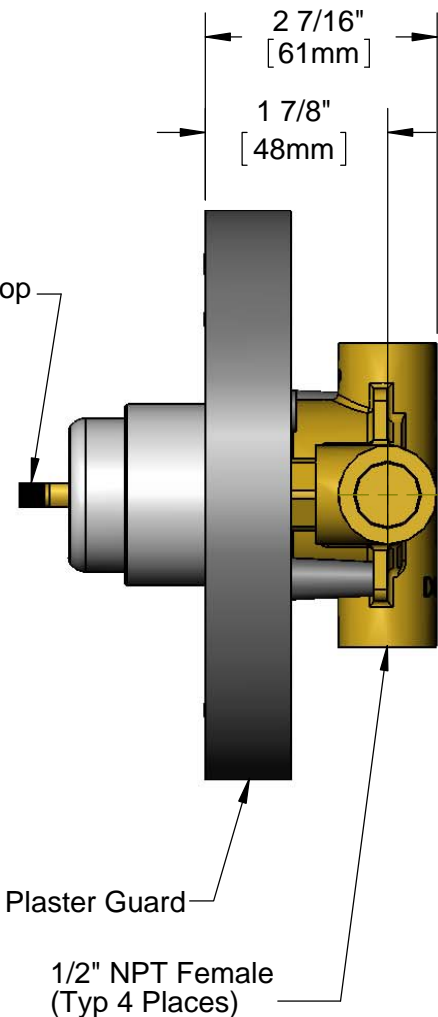
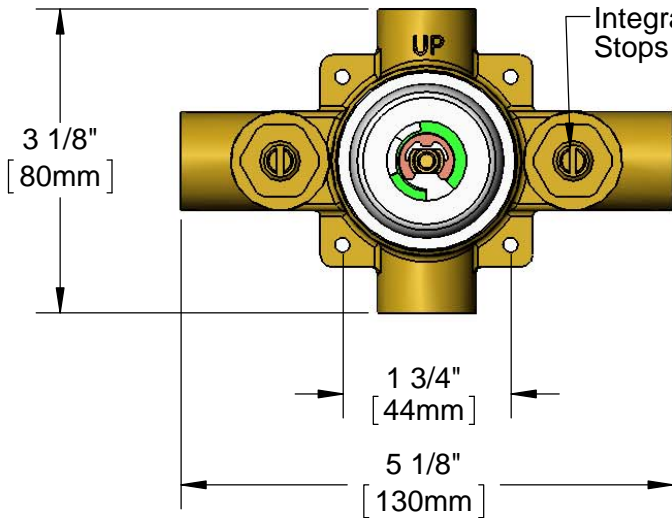
Customer/Wholesaler _____

Contractor _____

Architect/Engineer _____



017441-45
Pressure Balance
Cartridge Assembly
w/ Temperature Limit Stop



- Precautionary Note:** Shower valve should not be utilized with low-flow shower heads
- For B-3300, B-3301 and B-3304 Pre-Installation:
017443-45 Handle Assembly,
017444-45 Cover Plate Assembly,
017442-45 Showerhead w/ Arm & Escutcheon
017439-45 Tub Spout w/ Diverter
Available Separately

Product Specifications:
Pressure Balance Mixing Valve Only

Drawn DMH	Checked KJG	Approved JHB
Scale: 1:2		Date: 03/01/13