



# T&S BRASS AND BRONZE WORKS, INC.

2 Saddleback Cove / P.O. Box 1088  
Travelers Rest, SC 29690

Model No.

**B-3301**

Item No.

Travelers Rest, SC: 800-476-4103 • Simi Valley, CA: 800-423-0150 • Fax: 864-834-3518 • www.tsbrass.com

This Space for Architect/Engineer Approval

Job Name \_\_\_\_\_ Date \_\_\_\_\_

Model Specified \_\_\_\_\_ Quantity \_\_\_\_\_

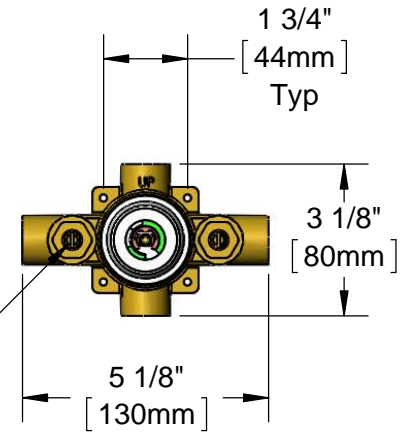
Customer/Wholesaler \_\_\_\_\_

Contractor \_\_\_\_\_

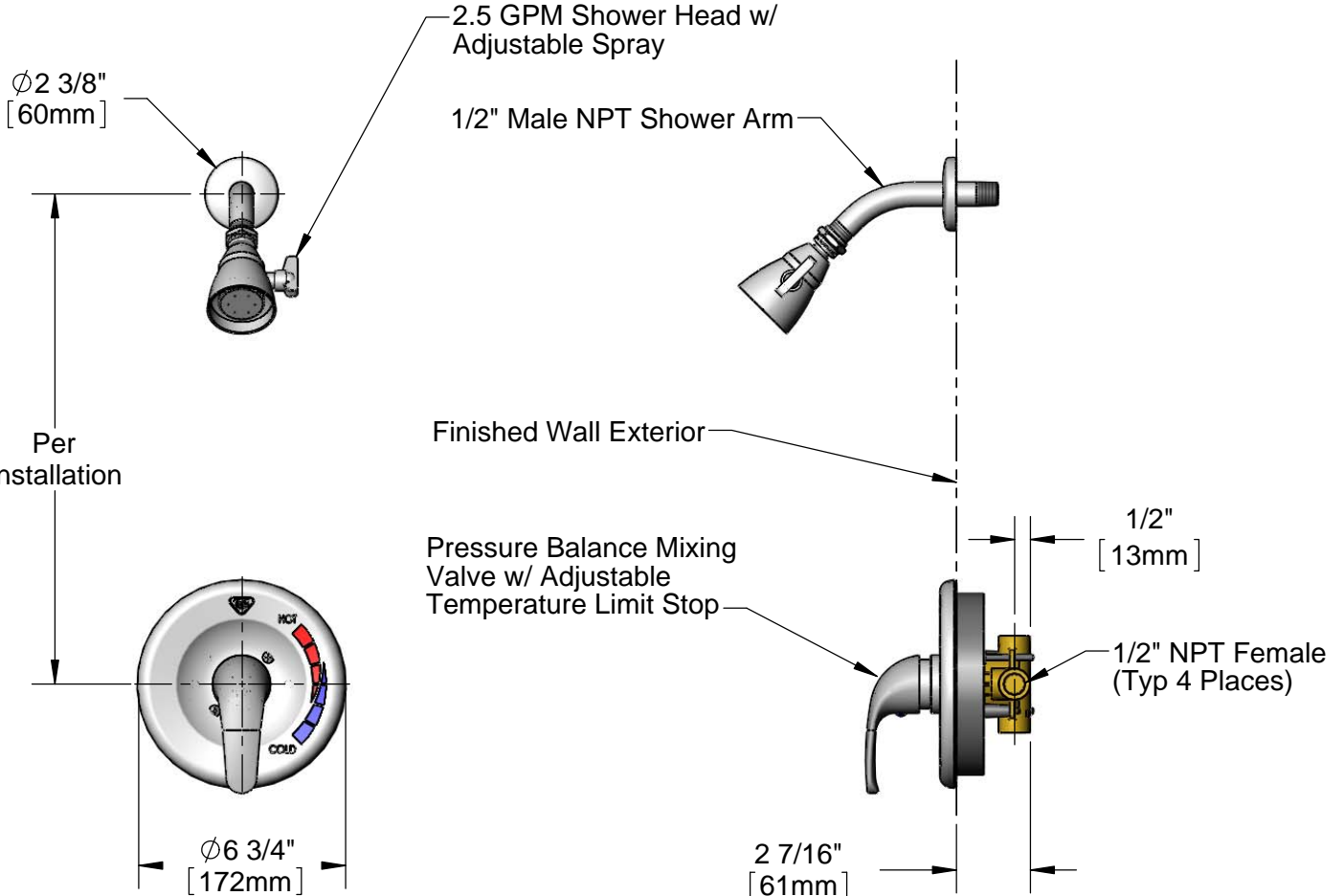
Architect/Engineer \_\_\_\_\_



**ADA Compliant**



Integral Screwdriver Stops



**Product Specifications:**

Pressure Balance Shower Valve (ASSE 1016) w/ Adjustable Temperature Limit Stop, Cover Plate Assembly, 2.5 GPM Shower Head, Shower Arm & Escutcheon, 1/2" NPT Female Inlets & Outlets

Drawn

**KJG**

Checked

**DMH**

Approved

**JHB**

Scale:

**1:6**

Date:

**10/24/12**



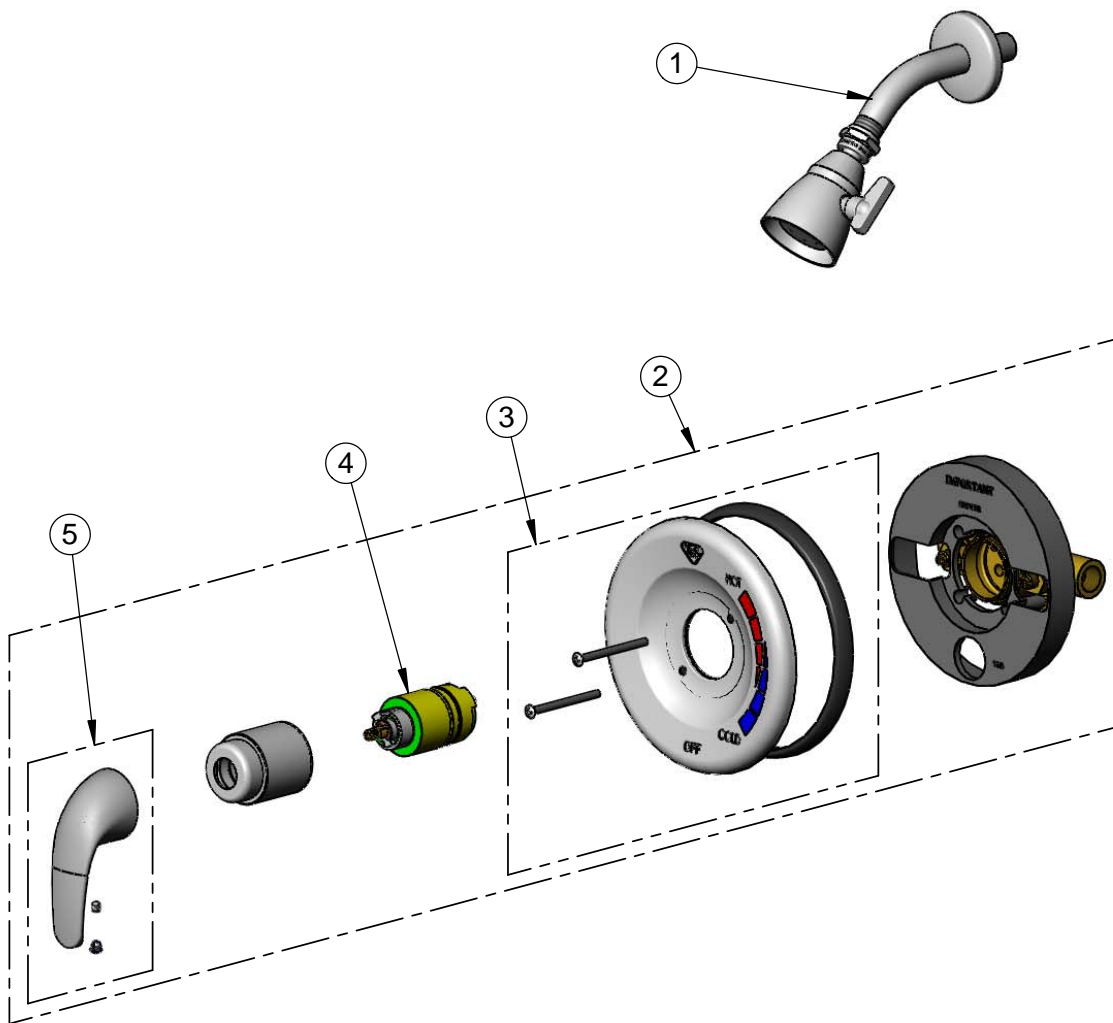
**T&S BRASS AND BRONZE WORKS, INC.**  
 2 Saddleback Cove / P.O. Box 1088  
 Travelers Rest, SC 29690

Model No.  
**B-3301**

Item No.

Travelers Rest, SC: 800-476-4103 • Simi Valley, CA: 800-423-0150 • Fax: 864-834-3518 • www.tsbrass.com

ITEM NO.	SALES NO.	DESCRIPTION
1	B-1090	Shower Head w/ Arm & Escutcheon
2	B-3304	Pressure Balance Shower Assembly
3	017444-45	PBV Cover Plate Assembly
4	017441-45	PBV Cartridge Assembly
5	017443-45	Handle w/ Set Screw & Temp. Index



Product Specifications:  
 Pressure Balance Shower Valve (ASSE 1016) w/ Adjustable  
 Temperature Limit Stop, Cover Plate Assembly, 2.5 GPM Shower  
 Head, Shower Arm & Escutcheon, 1/2" NPT Female Inlets & Outlets

Drawn <b>KJG</b>	Checked <b>DMH</b>	Approved <b>JHB</b>
Scale: <b>NTS</b>		Date: <b>10/24/12</b>