



T&S BRASS AND BRONZE WORKS, INC.
 2 Saddleback Cove / P.O. Box 1088
 Travelers Rest, SC 29690

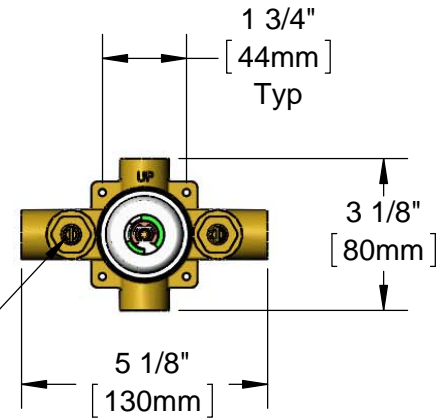
Model No.
B-3300

Item No.

Travelers Rest, SC: 800-476-4103 • Simi Valley, CA: 800-423-0150 • Fax: 864-834-3518 • www.tsbrass.com

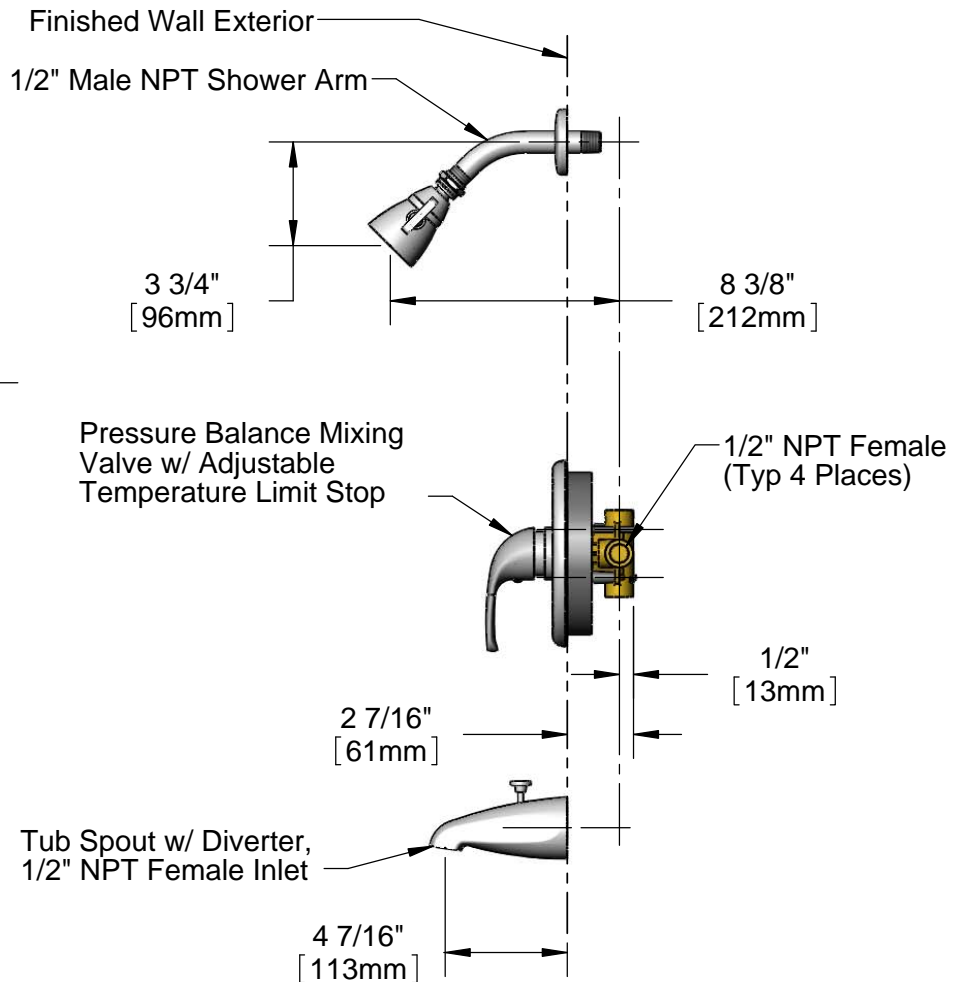
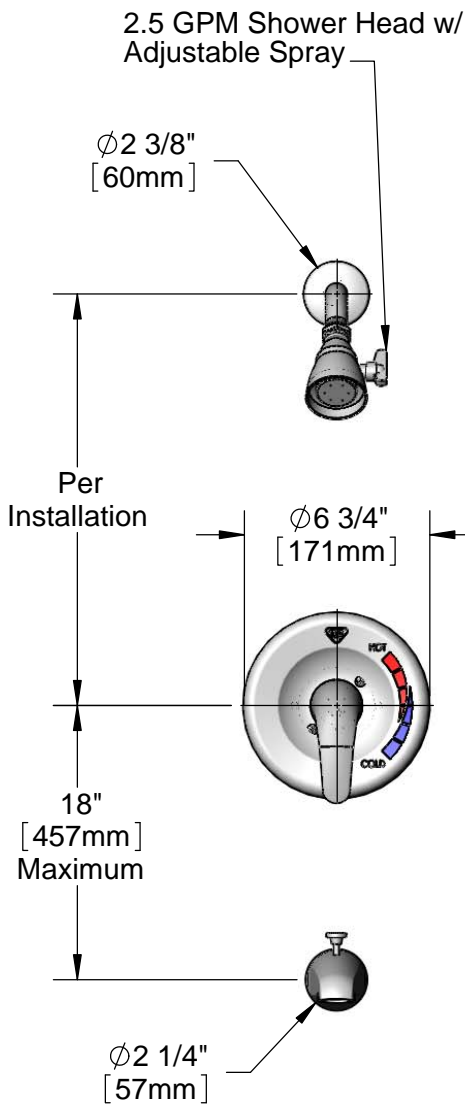
This Space for Architect/Engineer Approval

Job Name _____ Date _____
 Model Specified _____ Quantity _____
 Customer/Wholesaler _____
 Contractor _____
 Architect/Engineer _____



Integral Screwdriver Stops

Mixing Valve Detail (1:4)



Product Specifications:
 Pressure Balance Shower Valve (ASSE 1016) w/ Adjustable Temperature Limit Stop, Cover Plate Assembly, 1/2" NPT Inlets & Outlets, 2.5 GPM Shower Head w/ Shower Arm & Escutcheon & Tub Spout w/ Diverter

Drawn KJG	Checked DMH	Approved JHB
Scale: 1:7		Date: 10/24/12



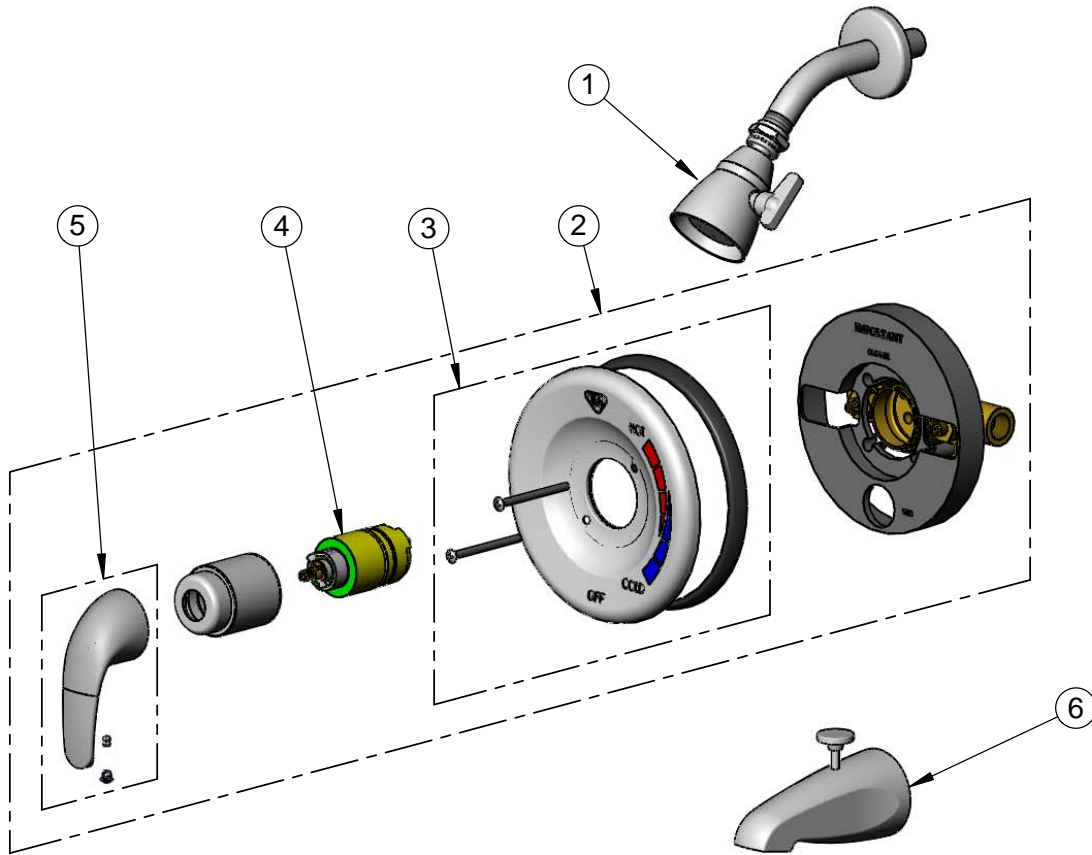
T&S BRASS AND BRONZE WORKS, INC.
 2 Saddleback Cove / P.O. Box 1088
 Travelers Rest, SC 29690

Model No.
B-3300

Item No.

Travelers Rest, SC: 800-476-4103 • Simi Valley, CA: 800-423-0150 • Fax: 864-834-3518 • www.tsbrass.com

ITEM NO.	SALES NO.	DESCRIPTION
1	B-1090	Shower Head w/ Arm & Escutcheon
2	B-3304	Pressure Balance Shower Valve
3	017444-45	PBV Cover Plate Assembly
4	017441-45	PBV Cartridge Assembly
5	017443-45	Handle w/ Set Screw & Temp. Index
6	017439-45	Tub Spout w/ Diverter



Product Specifications:
 Pressure Balance Shower Valve (ASSE 1016) w/ Adjustable
 Temperature Limit Stop, Cover Plate Assembly, 1/2" NPT
 Inlets & Outlets, 2.5 GPM Shower Head w/ Shower Arm &
 Escutcheon & Tub Spout w/ Diverter

Drawn KJG	Checked DMH	Approved JHB
Scale: NTS		Date: 10/24/12