



**T&S BRASS AND BRONZE WORKS, INC.**  
 2 Saddleback Cove / P.O. Box 1088  
 Travelers Rest, SC 29690

Model No.  
**B-3206**

Item No.

Travelers Rest, SC: 800-476-4103 • Simi Valley, CA: 800-423-0150 • Fax: 864-834-3518 • www.tsbrass.com

This Space for Architect/Engineer Approval

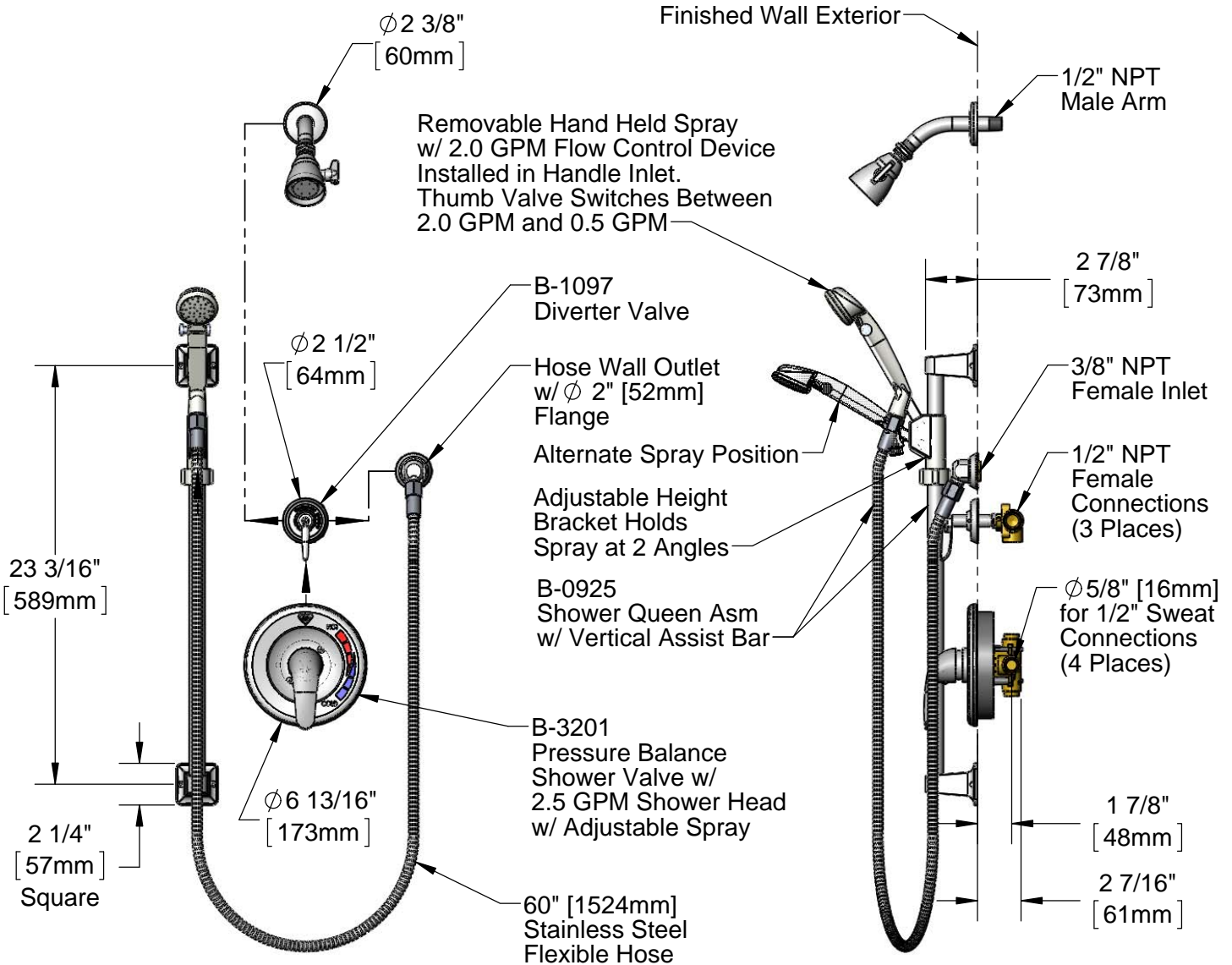
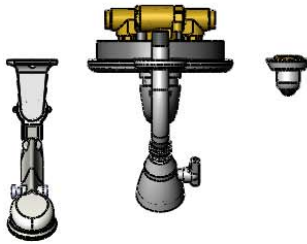
Job Name \_\_\_\_\_ Date \_\_\_\_\_

Model Specified \_\_\_\_\_ Quantity \_\_\_\_\_

Customer/Wholesaler \_\_\_\_\_

Contractor \_\_\_\_\_

Architect/Engineer \_\_\_\_\_



Product Specifications:  
 Pressure Balance Shower Valve (ASSE 1016) w/ 1/2" Sweat Connections, 2.5 GPM Shower Head, Diverter Valve & Shower Queen Hand Held Spray Assembly w/ Vertical Assist Bar

Drawn <b>KJG</b>	Checked <b>DMH</b>	Approved <b>JHB</b>
Scale: <b>1:9</b>	Date: <b>03/12/13</b>	

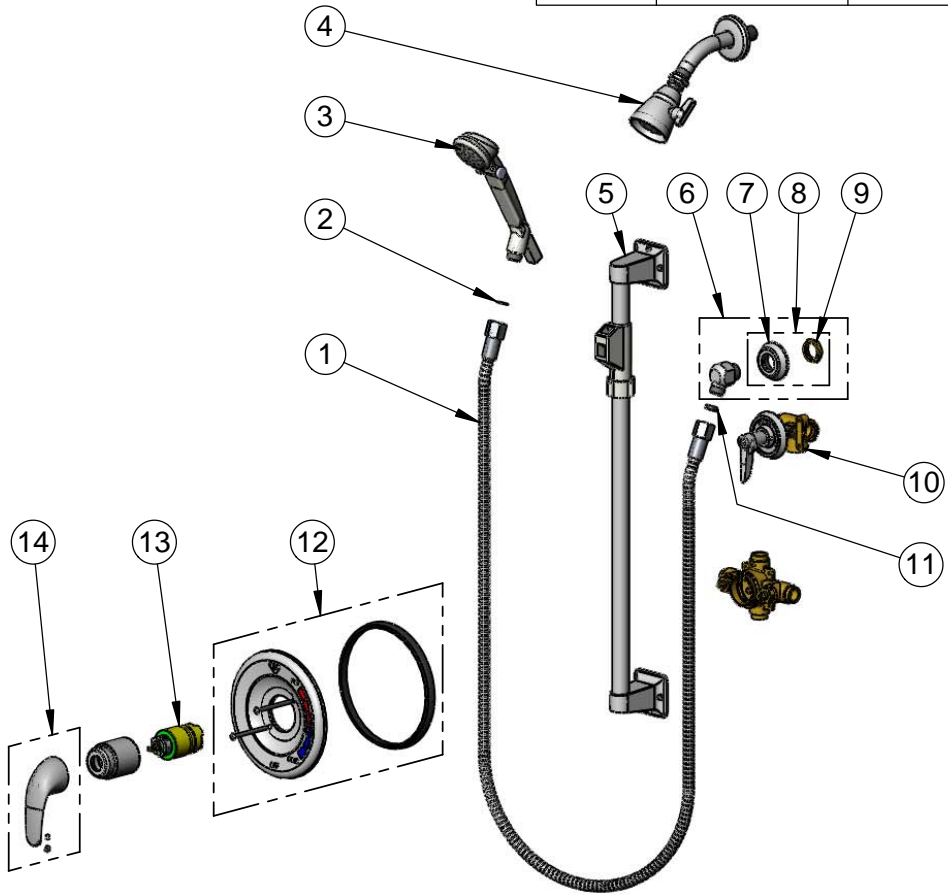


**T&S BRASS AND BRONZE WORKS, INC.**  
 2 Saddleback Cove / P.O. Box 1088  
 Travelers Rest, SC 29690

Model No.  
**B-3206**  
 Item No.

Travelers Rest, SC: 800-476-4103 • Simi Valley, CA: 800-423-0150 • Fax: 864-834-3518 • www.tsbrass.com

ITEM NO.	SALES NO.	DESCRIPTION
1	SQ-0101	60" Flexible Stainless Steel Hose
2	009037-45	Face Seal
3	SQ-0095	Handle, Shower Queen
4	B-1090	Shower Head w/ Arm & Escutcheon
5	B-0940	Vertical Assist Bar w/ Bracket
6	SQ-0093	Wall Outlet
7	000023-40	Adjustable Wall Flange
8	016782-40	Adjustable Wall Flange w/ Lock Nut
9	000713-20	Lock Nut, B-1200
10	B-1097	Diverter Valve
11	010476-45	#27 Washer
12	017444-45	PBV Cover Plate
13	017441-45	PBV Cartridge
14	017443-45	Handle w/ Set Screw & Temperature Index



Product Specifications:  
 Pressure Balance Shower Valve (ASSE 1016) w/ 1/2" Sweat Connections, 2.5 GPM Shower Head, Diverter Valve & Shower Queen Hand Held Spray Assembly w/ Vertical Assist Bar

Drawn <b>KJG</b>	Checked <b>DMH</b>	Approved <b>JHB</b>
Scale: <b>NTS</b>		Date: <b>03/12/13</b>