



T&S BRASS AND BRONZE WORKS, INC.

2 Saddleback Cove / P.O. Box 1088
Travelers Rest, SC 29690

Model No.
B-3201

Item No.

Travelers Rest, SC: 800-476-4103 Simi Valley, CA: 800-423-0150 Fax: 864-834-3518 www.tsbrass.com

This Space for Architect/Engineer Approval

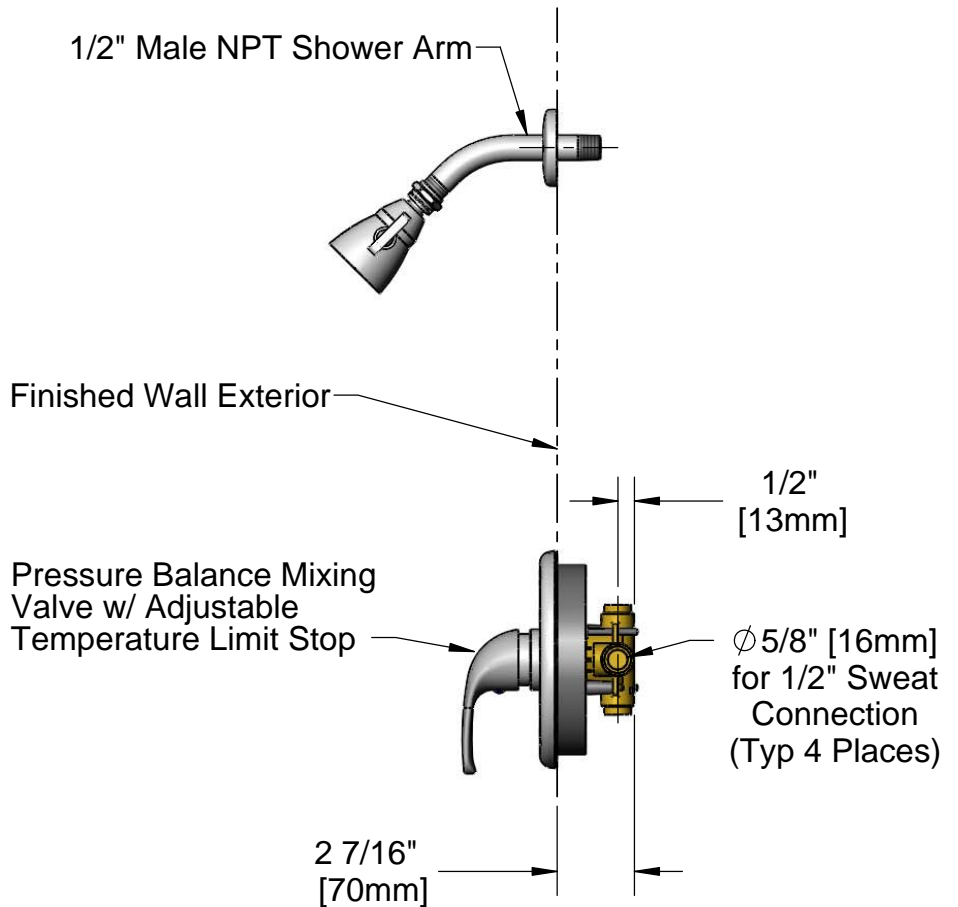
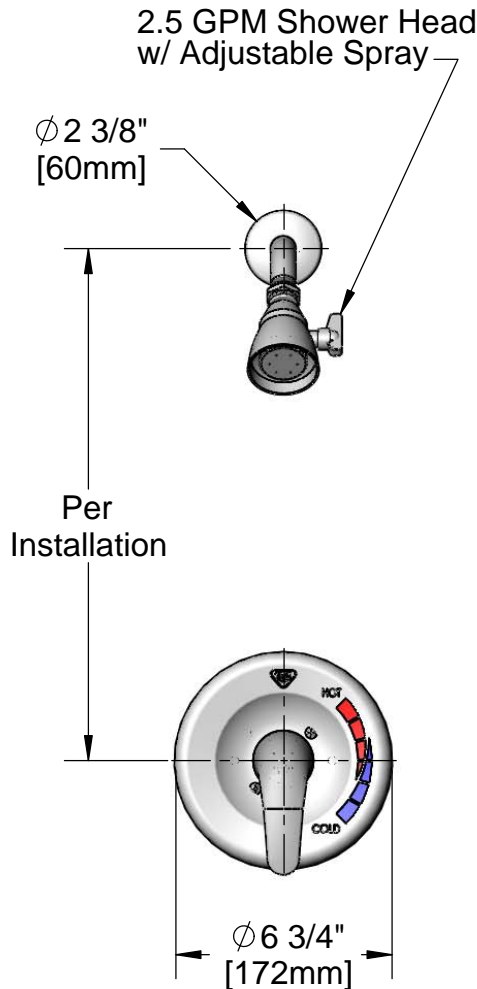
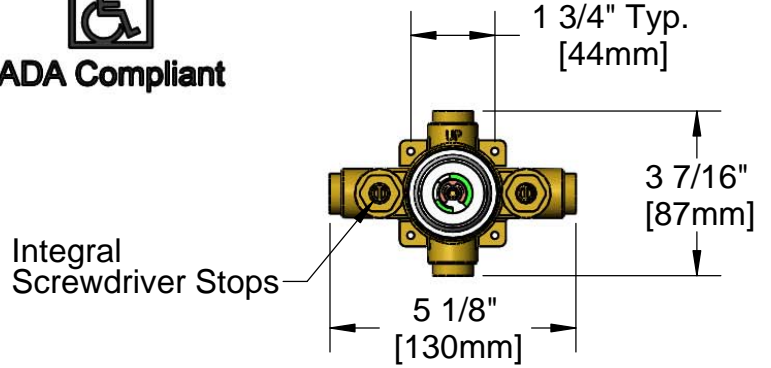
Job Name _____ Date _____

Model Specified _____ Quantity _____

Customer/Wholesaler _____

Contractor _____

Architect/Engineer _____



Product Specifications:

Pressure Balance Shower Valve (ASSE 1016) w/ Adjustable Temperature Limit Stop, Cover Plate Assembly, 2.5 GPM Shower Head, Shower Arm & Escutcheon, 1/2" Sweat Connections

Drawn GEF	Checked DMH	Approved JHB
Scale: 1:6		Date: 03/16/12



T&S BRASS AND BRONZE WORKS, INC.

2 Saddleback Cove / P.O. Box 1088
Travelers Rest, SC 29690

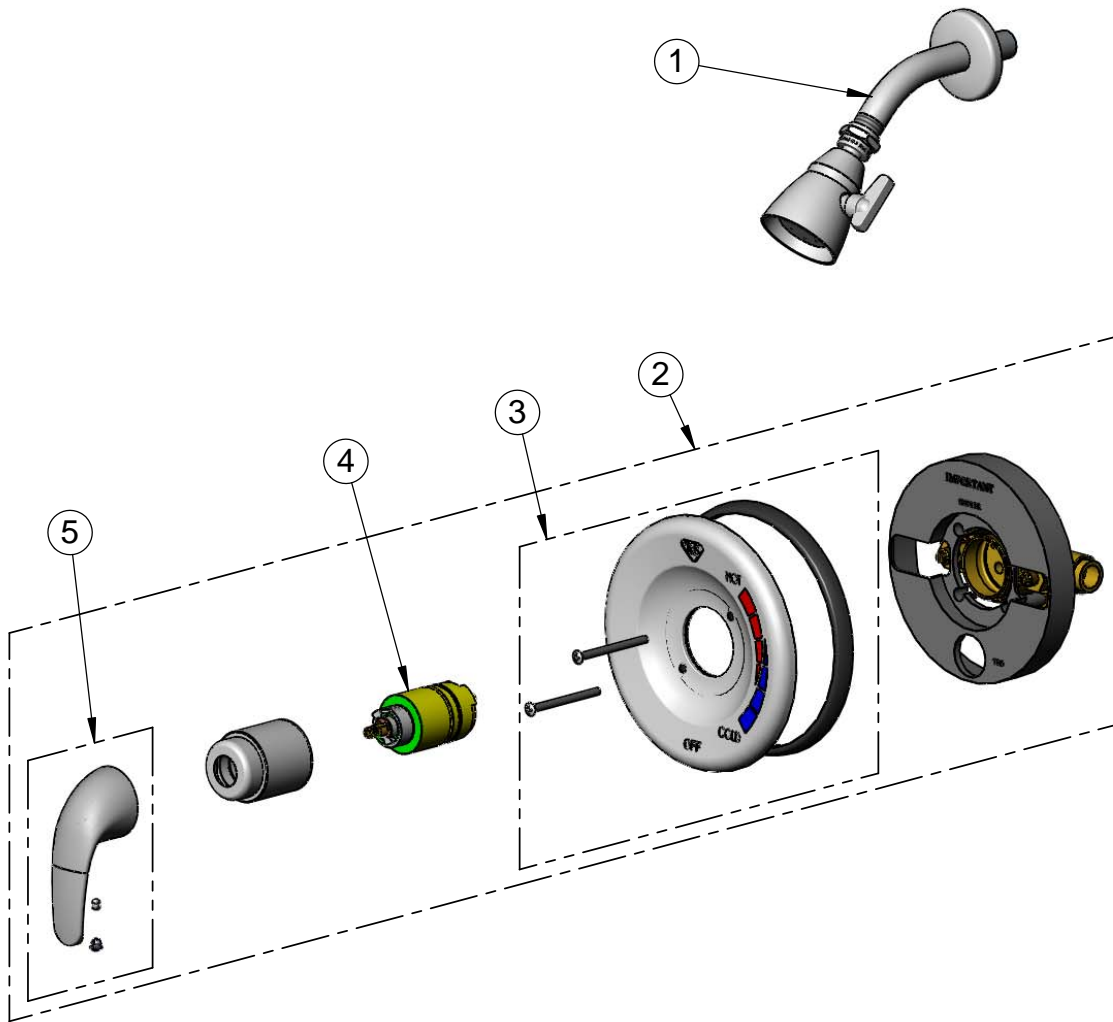
Model No.

B-3201

Item No.

Travelers Rest, SC: 800-476-4103 Simi Valley, CA: 800-423-0150 Fax: 864-834-3518 www.tsbrass.com

ITEM NO.	SALES NO.	DESCRIPTION
1	B-1090	Shower Head w/ Arm & Escutcheon
2	B-3204	Pressure Balance Shower Assembly
3	017444-45	PBV Cover Plate Assembly
4	017441-45	PBV Cartridge Assembly
5	017443-45	Handle w/ Set Screw & Temp. Index



Product Specifications:

Pressure Balance Shower Valve (ASSE 1016) w/ Adjustable Temperature Limit Stop, Cover Plate Assembly, 2.5 GPM Shower Head, Shower Arm & Escutcheon, 1/2" Sweat Connections

Drawn	Checked	Approved
GEF	DMH	JHB
Scale:		Date:
NTS		03/16/12