

Item#: _____ Quantity: _____

Project: _____ Approval: _____ Date: _____



Stock Pot Range

MODELS

351CPGSPR18L, 351CPGSPR18N

DESCRIPTION

This stock pot range allows you to efficiently prepare flavorful soups, sauces, and stock while taking up minimal space! Equipped with two adjustable valves, this unit delivers a total of 80,000 BTU of power to ensure efficiency and even cooking at your operation. The stainless steel front and sides combine with a heavy-duty cast iron top grate to provide outstanding durability.

STANDARD FEATURES

- Two adjustable valves provide 80,000 BTU
- Cabinet base for extra storage
- Heavy-duty cast iron grate
- Stainless steel front, sides, legs, and base
- Drip tray for easy clean up
- 6" adjustable legs



SERIES SPECIFICATIONS

Cooking Surface	Cast Iron Grates
Power	Natural Gas or Liquid Propane
Burner Style	2 Ring Open Burner
Total Burners	1
Control Type	Manual
Gas Inlet Size	3/4"

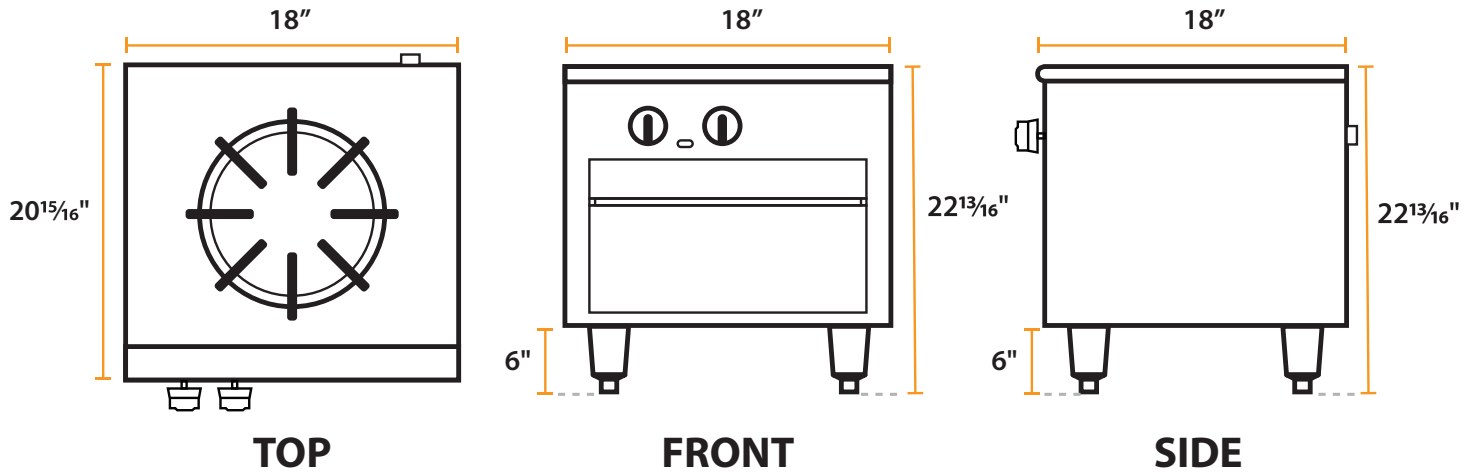
LIMITED WARRANTY

Cooking Performance Group warrants this product from manufacturer defect and workmanship for a period of **1 Year** from the original date of purchase.

To register your equipment, visit: CookingPerformanceGroup.com



PRODUCT SPECIFICATIONS



Model #	Overall Size			Burner BTU	Pressure (WC)	Combustible Clearances		
	Width	Depth	Height			Sides	Rear	Floor
351CPGSPR18 /L /N	18"	20 ¹⁵ / ₁₆ "	22 ¹³ / ₁₆ "	80,000	4" NG / 10" LP	4"	4"	4"

Note: Regulator - 3/4" depth. Dimensions above do not include regulator.

INSTALLATION

Install the Stock Pot Range on and around non-combustible surfaces, allowing 6" of clearance on the sides of the range and 6" of clearance from the back of the range. Install underneath a ventilation hood that corresponds with local and national codes.

- 3/4" rear gas connection configured for areas at an altitude less than 8,000 ft
- Manual gas shut-off valve and gas pressure regulator must be installed for safety and ease of servicing

SHIPPING INFORMATION

Model #	Shipping Carton Size			Weight	Freight Class
	Width	Depth	Height		
351CPGSPR18 /L /N	25"	24 ¹³ / ₁₆ "	20 ¹⁵ / ₁₆ "	120 lb	85

Unit is shipped in a carton and crate on a pallet

OPTIONS & ACCESSORIES

COMPANION ITEMS

#600GKM3448
Regency 48" Mobile Gas Connector Hose Kit with 2 Elbows, Full Port Valve, Restraining Device, and Quick Disconnect - 3/4"

