



Project _____

Item 522EBTB3072D Quantity _____

Approval _____ Date _____

Steelton 30" x 72" 18-Gauge Type 430 Stainless Steel Enclosed Base Sliding Door Table with Midshelf and 6" Backsplash

Item #522EBTB3072D

Special Features

- Durable 18-gauge type 430 stainless steel top and body
- Large 30" x 72" worktop includes a 6" backsplash
- Enclosed base provides concealed storage
- Welded-in stainless steel midshelf maximizes the storage capacity
- 2 sliding doors include recessed handles

Technical Data

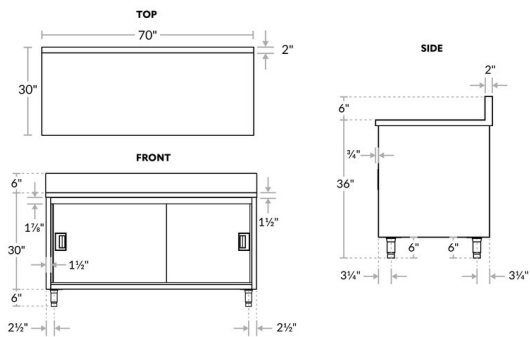
Length	72 Inches
Width	30 Inches
Height	42 Inches
Backsplash Height	6 Inches
Backsplash	With Backsplash
Color	Silver
Door Style	Sliding
Features	Corrosion-Resistant With Midshelf
Gauge	18 Gauge



Technical Data

Leg Construction	Stainless Steel
Material	Stainless Steel
Number of Doors	2 Doors
Number of Legs	4 Legs
Stainless Steel Type	Type 430
Table Style	Enclosed Base
Tabletop Material	Stainless Steel
Top Capacity	625 lb.
Type	Work Tables

Technical Drawing



⚠ WARNING: This product can expose you to chemicals including lead, which are known to the State of California to cause cancer and birth defects or other reproductive harm. For more information, go to www.p65warnings.ca.gov.