



## ServIt WDSBI-3K Triple Built-In Drawer Warmer - 1350W, 120V

#423WDSBI3K

### FEATURES

- Three drawers fit full size 12" x 20" x 6" food pans
- Full stainless-steel construction and 14-gauge slide brackets help ensure long-lasting durability
- 1" thick fiberglass insulation and built-in drawer gasket keep heat inside for efficient use
- A vent control feature to adjust airflow based on whether foods need to be kept dry or moist
- Thermostatic controls provide an 80-220 degrees Fahrenheit temperature range; 1350W, 120V

### TECHNICAL DATA

Width	31 7/16 Inches
Depth	20 15/16 Inches
Height	32 1/4 Inches
Cutout Width	27 11/16 Inches
Cutout Depth	21 15/16 Inches
Cutout Height	29 1/4 Inches
Amps	11.25 Amps
Hertz	60 Hertz
Phase	1 Phase
Voltage	120 Volts



### CERTIFICATIONS



NSF Listed



5-15P

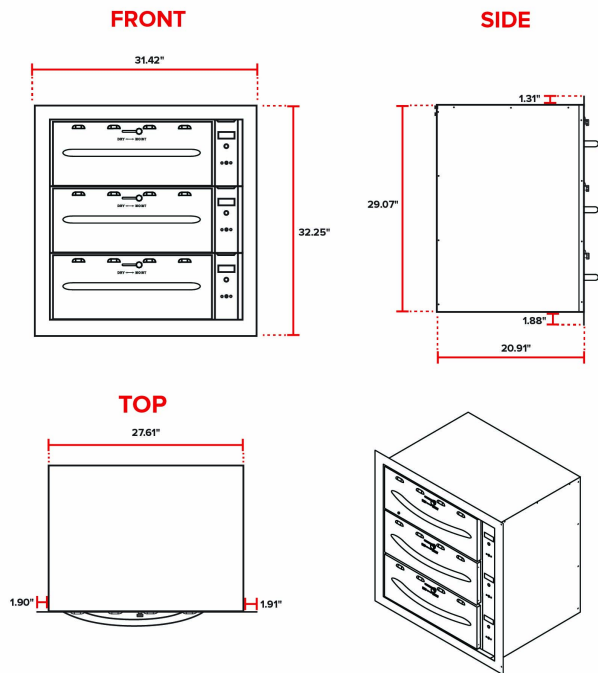


UL Listed, US

## TECHNICAL DATA

Wattage	1350 Watts
Color	Silver
Control Type	Thermostatic
Features	NSF Listed
Installation Type	Built-In
Number of Drawers	3 Drawers
Plug Type	NEMA 5-15P
Power Type	Electric
Style	Standard Drawer
Temperature Range	80 - 220 Degrees F
Warmer Style	Stationary

## Plan View



## Notes & Details

---

Keep your most popular sides and entrees hot and ready to serve with the ServIt WDSBI-3K triple freestanding drawer warmer! This warmer features 1350 watts of heating power and three drawers that accommodate a full size 12" x 20" x 6" food pan in each drawer that you can fill to the brim with a variety of hot foods. There are also adjustable pan supports that allow you to use a variety of other sizes of food pans in this warmer. The durable, full stainless steel construction makes sure that this drawer warmer will stand up to frequent use while the 1" thick fiberglass insulation keeps the heat inside for efficient use.

The built-in design means this warmer won't take up any of your valuable counter space. It comes standard with a trim kit to allow a flush, elegant look when built-into a cabinet or cavity. Its 11 gauge drawers slide on 14 gauge slide brackets to help ensure long-lasting durability.

Recessed thermostatic temperature controls for each drawer, an indicator lamp, and vent controls allow you to efficiently adjust this warmer to properly keep your best foods hot and ready to eat. The vent control allows ultimate control over airflow for foods to be kept dry, or can be closed to restrict airflow to keep foods moist. The thermostatic controls will automatically turn back on when there is a 3 to 10 degrees Fahrenheit drop in temperature. This drawer warmer boasts a wide temperature range between 80 and 220 degrees Fahrenheit, allowing you to keep a variety of foods at safe temperatures all day. This unit requires a 120V electric connection.

Note: This unit ships with pre-attached legs to prevent damage to the border trim kit. Please remove the legs on the unit before installing into a cabinet or cavity.

**⚠ WARNING:** This product can expose you to chemicals including Lead, which are known to the State of California to cause cancer, birth defects, or other reproductive harm. For more information, go to [www.p65warnings.ca.gov](http://www.p65warnings.ca.gov).