



Servit TCWSTAND Portable Stand for TCW26 and TCW46 Chip Warmers

#423TCWSTAND

FEATURES

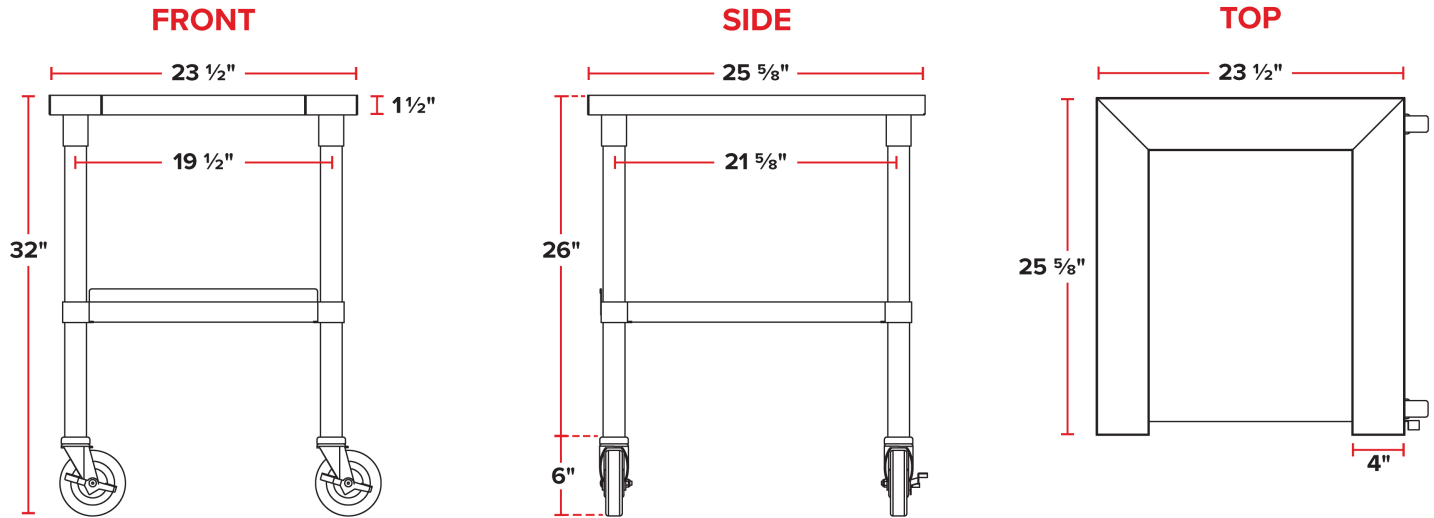
- Provides a stable and mobile base for TCW26 and TCW46 chip warmers
- Comes unassembled for shipping savings, easy assembly
- Includes (4) casters, (2) with brakes
- Undershelf provides additional storage space

TECHNICAL DATA

Width	23 1/2 Inches
Depth	25 5/8 Inches
Height	26 Inches
Color	Silver
Type	Stands



Plan View



Notes & Details

The perfect companion for Servit TCW chip warmers, the TCWSTAND allows you to mount your unit at a comfortable working height and also make it mobile too! This stand is specially designed to work with your warmer, with a top-mounted channel frame that is sized to hold your unit more securely than an ordinary equipment stand. This feature, paired with the casters on the base, makes it easy to move if you want to relocate it for better merchandising, or for cleaning and loading more product. When you want to lock it in place and make it stationary, 2 of the casters include a brake.

Additionally, this stand comes with an undershelf, which gives you additional space to store supplies like chip trays and condiments. It comes unassembled to reduce shipping costs, but its intuitive design assembles easily and is ready to use in minutes.

⚠ WARNING: This product can expose you to chemicals including lead, which are known to the State of California to cause cancer, birth defects, or other reproductive harm. For more information, go to www.p65warnings.ca.gov.