



## ServIt SDW-1H One Pan Full Size Insulated Drop-In Hot Food Well - 208/240V

#423SDW1H

### FEATURES

- Designed for holding hot foods at a safe serving temperature
- Holds one full size 6" deep food pan (sold separately)
- Individual thermostatic controls with remote control
- Durable stainless steel top and body
- 1000W of power per well

### TECHNICAL DATA

Width	16 1/2 Inches
Depth	25 7/8 Inches
Height	12 5/16 Inches
Power Cord Length	6 Feet
Control Cutout Width	6 7/8 Inches
Control Width	6 1/2 Inches
Cutout Width	15 1/2 Inches
Control Depth	3 3/8 Inches
Cutout Depth	24 7/8 Inches
Control Cutout Height	4 1/2 Inches



### CERTIFICATIONS



UL Listed, US



NSF Listed

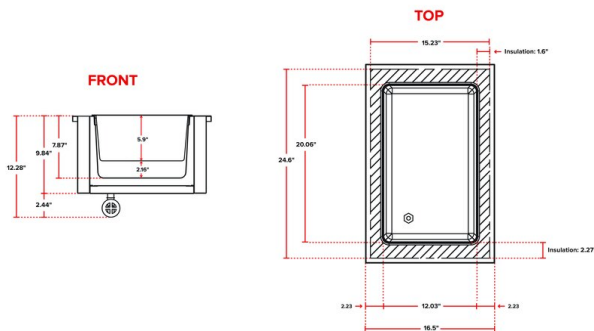


6-20P

## TECHNICAL DATA

Control Height	4 1/8 Inches
Amps	4.16 - 4.8 Amps
Phase	1 Phase
Voltage	208/240 Volts
Wattage	1000 Watts
Color	Silver
Control Type	Thermostatic
Drain Size	3/4 Inch
Features	NSF Listed With Drain
Installation Type	Drop In
Insulated	With Insulation
Material	Stainless Steel
Number of Wells	1 Well
Pan Mounting	Flush
Plug Type	NEMA 6-20P
Power Type	Electric
Size	Full Size
Temperature Range	136 - 194 Degrees F
Type	Food Wells


## Plan View



## Notes & Details

Hold and display your hot food safely while keeping it warm for your customers with this ServIt one pan insulated drop-in hot food well. This hot food well is designed to hold your cooked food at a safe serving temperature, keeping it warm and ready to eat for your guests without affecting quality or further cooking your food. It's perfect for restaurants, cafeterias, buffets, and serving lines, holding cooked vegetables, pasta, fried chicken, and other cooked product. It features a thermostatically controlled well with a remote to adjust temperatures between 136 and 194 degrees Fahrenheit, and it has a 3/4" NPT drain with screen to prevent food waste from entering the plumbing line, allowing for quick draining during cleanup. Each well comes with its own removable drain plug, which lets you drain and fill individual wells.

This hot food well can hold one full size 12" x 20" food pan up to 6" deep (sold separately). For long-lasting durability, this unit features a robust 18 gauge type 304 stainless steel top and well liner and a 20 gauge type 430 stainless steel exterior, making the outside body easy to clean and resistant to corrosion. This unit features 1000W of power per well with a foamed in insulation to hold in the heat and keep energy costs low. This unit requires a 208/240V electrical connection for operation.

 **WARNING:** This product can expose you to chemicals including lead, which are known to the State of California to cause cancer and birth defects or other reproductive harm. For more information, go to [www.p65warnings.ca.gov](http://www.p65warnings.ca.gov).