



ServIt 60" Stainless Steel Heated Shelf Warmer - 960W, 120V

#423HSW2060

FEATURES

- Ideal for buffet lines, catering events, and order pickup areas
- Thermostatically controlled with gentle rope type elements
- Boasts a temperature range of 80 to 212 degrees Fahrenheit
- 304 stainless steel is durable and corrosion-resistant
- Adjustable rubber feet and a marine edge to prevent slippage

TECHNICAL DATA

Width	60 Inches
Depth	20 Inches
Hertz	60 Hz
Phase	1 Phase
Voltage	120 Volts
Wattage	960 Watts
Color	Silver
Control Type	Thermostatic
Features	Corrosion-Resistant NSF Listed



CERTIFICATIONS



UL Listed, US



NSF Listed

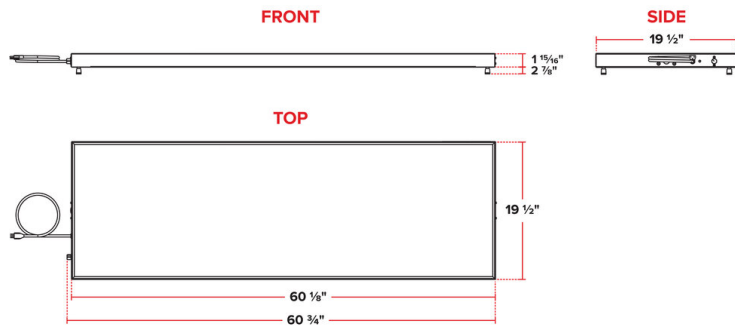


5-15P

TECHNICAL DATA

Heating Source	Rope
Installation Type	Countertop
Material	Stainless Steel
Plug Type	NEMA 5-15P
Power Type	Electric
Stainless Steel Type	Type 304
Style	Heated
Temperature Range	80 - 212 Degrees F
Temperature Settings	Adjustable

Plan View



42348W2000

Notes & Details

Keep foods hot and ready to eat with this Servit 60" stainless steel heated shelf warmer. This shelf warmer is perfect for holding food in buffet lines, self-serve stations, or even in pass through areas whether you're warming pizzas or a pan of chicken wings. It's thermostatically controlled with gentle rope type elements, allowing you to set the temperature from 80 to 212 degrees Fahrenheit.

Durable and corrosion-resistant, this shelf warmer is constructed of 304 stainless steel, making it a long-lasting addition to your kitchen. It features adjustable rubber feet and a marine edge to prevent slippage. This shelf warmer is perfect for keeping your products warm and ready for your customers. This unit requires a 120V, 960W electrical connection for operation.

⚠ WARNING: This product can expose you to chemicals including lead, which are known to the State of California to cause cancer and birth defects or other reproductive harm. For more information, go to www.p65warnings.ca.gov.