



## ServIt 42" Stainless Steel Heated Shelf Warmer - 630W, 120V

#423HSW2042

### FEATURES

- Ideal for buffet lines, catering events, and order pickup areas
- Thermostatically controlled with gentle rope type elements
- Boasts a temperature range of 80 to 212 degrees Fahrenheit
- 304 stainless steel is durable and corrosion-resistant
- Adjustable rubber feet and a marine edge prevent slippage

### TECHNICAL DATA

Width	42 Inches
Depth	20 Inches
Power Cord Length	55 1/8 Inches
Phase	1 Phase
Voltage	120 Volts
Wattage	630 Watts
Color	Silver
Control Type	Thermostatic
Features	Corrosion-Resistant NSF Certified



### CERTIFICATIONS



NSF Certified



5-15P

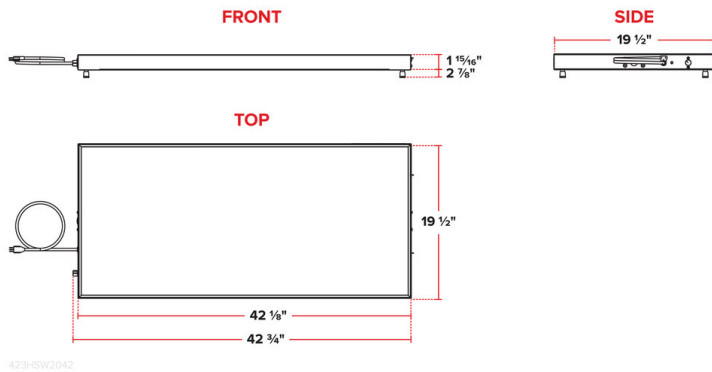


UL Certified

## TECHNICAL DATA

Heating Source	Rope
Installation Type	Countertop
Material	Stainless Steel
Plug Type	NEMA 5-15P
Power Type	Electric
Stainless Steel Type	Type 304
Temperature Range	80 - 212 Degrees F
Temperature Settings	Adjustable
Type	Warming Shelves

## Plan View



## Notes & Details

Keep foods hot and ready to eat with this Servit 42" stainless steel heated shelf warmer. This shelf warmer is perfect for holding food in buffet lines, at catering events, self-serve stations, or even in pass through areas whether you're warming pizzas or a pan of chicken wings. It's thermostatically controlled with gentle rope type elements, allowing you to set the temperature from 80 to 212 degrees Fahrenheit.

Durable and corrosion-resistant, this shelf warmer is constructed of 304 stainless steel, making it a long-lasting addition to your kitchen. It features adjustable rubber feet and a marine edge to prevent slippage. This shelf warmer is great for keeping your products warm and ready for your customers. This unit requires a 120V, 630W electrical connection for operation.