



ServIt HSW20402 43" x 20 1/8" 2-Shelf Heated Shelf Warmer / Take-Out Station - 120V, 700W

#423HSW20402

FEATURES

- 2 pass-through shelves let you organize take-out and delivery orders
- Rope style elements provide even heating throughout the unit
- 304 stainless steel is durable and corrosion-resistant
- Digitally controlled with independently adjustable temperatures from 80 to 200 degrees Fahrenheit
- 120V, 700W

TECHNICAL DATA

Width	43 Inches
Depth	20 1/8 Inches
Height	21 9/16 Inches
Shelf Width	40 Inches
Shelf Depth	20 Inches
Amps	5.83 Amps
Voltage	120 Volts
Wattage	700 Watts
Color	Silver
Control Type	Thermostatic



CERTIFICATIONS



UL Listed, US



5-15P

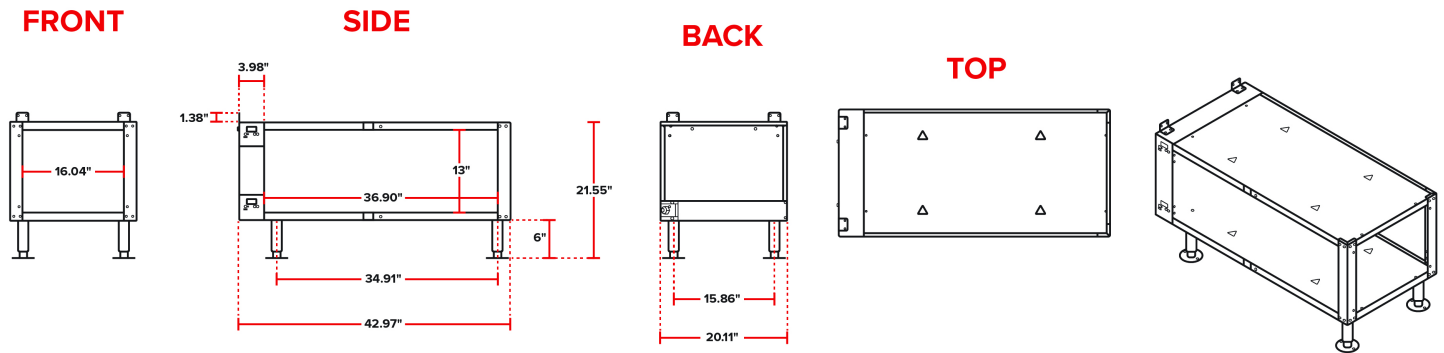


NSF Listed

TECHNICAL DATA

Features	NSF Listed
Gauge	16 - 18 Gauge
Heating Source	Rope
Installation Type	Freestanding
Material	Stainless Steel
Number of Service Sides	2
Number of Shelves	2 Shelves
Plug Type	NEMA 5-15P
Power Type	Electric
Service Type	Full Service Self Service
Stainless Steel Type	Type 304
Style	Heated
Temperature Range	80 - 200 Degrees F
Temperature Settings	Adjustable
Type	Takeout Stations

Plan View



423HSW20402

Notes & Details

Keep take-out and delivery orders hot and ready to enjoy with this ServIt heated shelf warmer / take-out station! This warmer features shelves with built-in temperature control to provide optimal conditions for your take-out and delivery orders. With 2 shelves, the warmer lets you organize orders so they're easy to find when customers or delivery services are ready to pick up their food. Plus, it's a pass-through unit, so food can easily be loaded from one side and retrieved from the other! Rope type elements gently and evenly heat the shelves between 80 and 200 degrees Fahrenheit.

This unit is designed for ease of use with thermostatic, digital temperature controls. The controls are simple to use and allow you to customize the temperature of each shelf on the unit, or individually turn them off entirely to accommodate both hot and ambient food. The marine edge on the shelves prevents food from slipping off the shelf, ensuring that your food stays where it belongs. The end panels (sold separately) work together with ServIt optional accessories such as the door set (sold separately) to improve this unit's warming efficiency. The optional divider panel (sold separately) is sure to enhance functionality and versatility in your take-out station.

This warmer is made to stand up to a commercial environment with a durable design that's built to last. The shelves are made with heavy-duty, 18 gauge, type 304 stainless steel while the posts are constructed with 16 gauge, type 304 stainless steel. This unit comes with adjustable flange, bolt-down feet for added stability and safety. This unit requires a 120V, 700W electrical connection for operation.

⚠ WARNING: This product can expose you to chemicals including lead, which are known to the State of California to cause cancer, birth defects, or other reproductive harm. For more information, go to www.p65warnings.ca.gov.