



ServIt 36" Stainless Steel Heated Shelf Warmer - 576W, 120V

#423HSW2036

FEATURES

- Ideal for buffet lines, catering events, and order pickup areas
- Thermostatically controlled with adjustable temperatures from 80 to 212 degrees Fahrenheit
- Rope style element provides even heating throughout the unit
- 304 stainless steel is durable and corrosion-resistant
- Adjustable rubber feet and a marine edge to prevent slippage

TECHNICAL DATA

Width	36 Inches
Depth	20 Inches
Voltage	120 Volts
Wattage	576 Watts
Color	Silver
Control Type	Thermostatic
Features	Adjustable Height Corrosion-Resistant NSF Listed
Heating Source	Rope



CERTIFICATIONS



UL Listed, US



NSF Listed

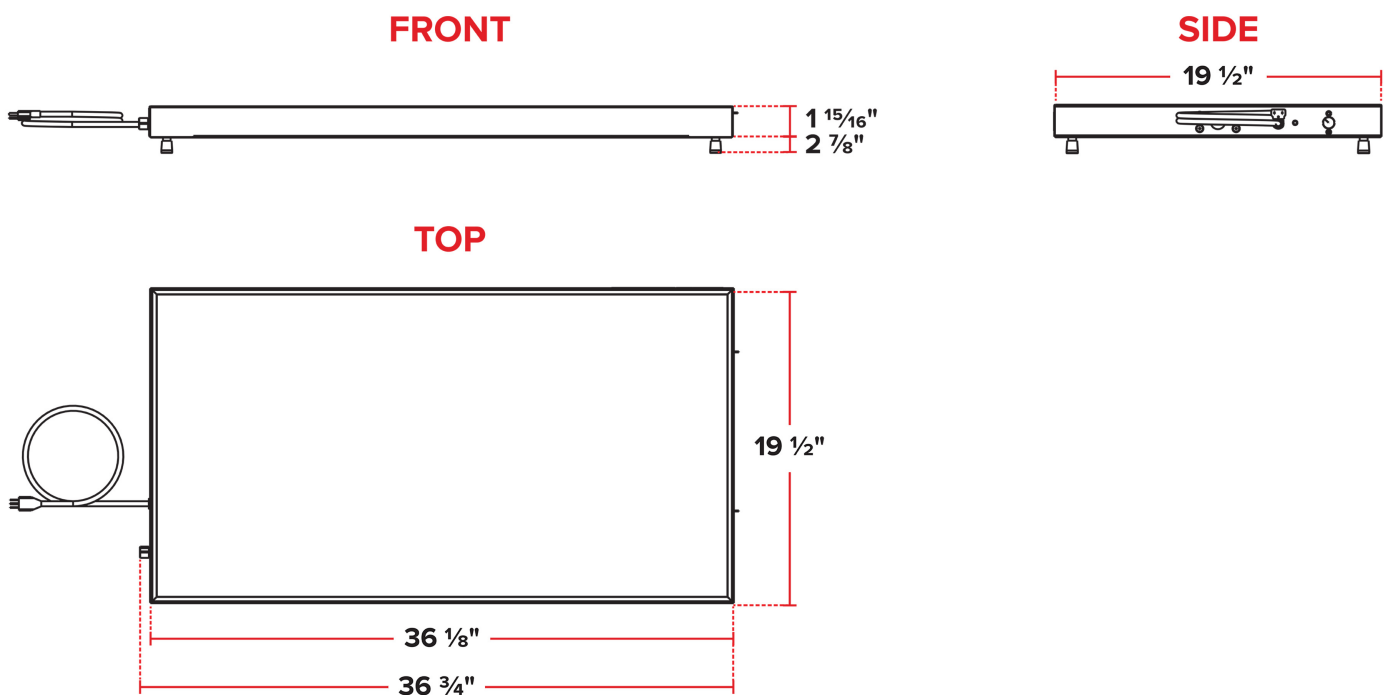


5-15P

TECHNICAL DATA

Installation Type	Countertop
Material	Stainless Steel
Plug Type	NEMA 5-15P
Power Type	Electric
Shape	Rectangle
Stainless Steel Type	Type 304
Style	Heated
Temperature Range	80 - 212 Degrees F
Temperature Settings	Adjustable
Type	Shelf Warmers

Plan View



423HSW2036

Notes & Details

Keep foods hot and ready to eat with this ServIt 36" stainless steel heated shelf warmer. This shelf warmer is perfect for holding food in buffet lines, self-serve stations, or even in pass through areas whether you're warming pizzas or a pan of chicken wings. It's thermostatically controlled with gentle rope type elements, allowing you to set the temperature from 80 to 212 degrees Fahrenheit.

Durable and corrosion-resistant, this shelf warmer is constructed of 304 stainless steel, making it a long-lasting addition to your kitchen. It features rubber feet and a marine edge to prevent slippage. The feet are also adjustable through rotating to adjust the height. This shelf warmer is perfect for keeping your products warm and ready for your customers. This unit requires a 120V, 576W electrical connection for operation.

⚠ WARNING: This product can expose you to chemicals including lead, which are known to the State of California to cause cancer, birth defects, or other reproductive harm. For more information, go to www.p65warnings.ca.gov.