



## ServIt 30" Stainless Steel Heated Shelf Warmer - 480W, 120V

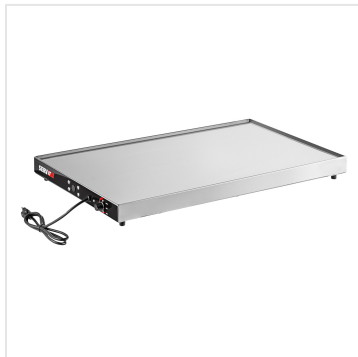
#423HSW2030

### FEATURES

- Keeps foods hot and ready to eat
- Thermostatically controlled with gentle rope type elements
- Boasts a temperature range of 80 to 212 degrees Fahrenheit
- 304 stainless steel is durable and corrosion-resistant
- Adjustable rubber feet and a marine edge to prevent slippage

### TECHNICAL DATA

Width	30 Inches
Depth	20 Inches
Power Cord Length	55 1/8 Inches
Phase	1 Phase
Voltage	120 Volts
Wattage	480 Watts
Color	Silver
Control Type	Thermostatic
Features	Corrosion-Resistant NSF Certified



### CERTIFICATIONS



NSF Certified



5-15P

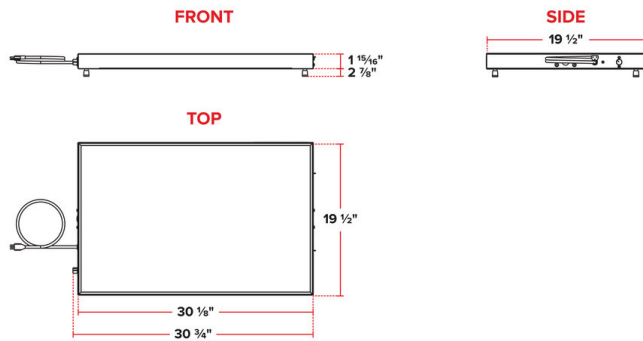


UL Certified

## TECHNICAL DATA

Heating Source	Rope
Installation Type	Countertop
Material	Stainless Steel
Plug Type	NEMA 5-15P
Power Type	Electric
Stainless Steel Type	Type 304
Temperature Range	80 - 212 Degrees F
Temperature Settings	Adjustable
Type	Warming Shelves

## Plan View



## Notes & Details

Keep foods hot and ready to eat with this Servit 30" stainless steel heated shelf warmer. This shelf warmer is perfect for holding food in buffet lines, self-serve stations, or even in pass through areas whether you're warming pizzas or a pan of chicken wings. It's thermostatically controlled with gentle rope type elements, allowing you to set the temperature from 80 to 212 degrees Fahrenheit.

Durable and corrosion-resistant, this shelf warmer is constructed of 304 stainless steel, making it a long-lasting addition to your kitchen. It features adjustable rubber feet and a marine edge to prevent slippage. This shelf warmer is perfect for keeping your products warm and ready for your customers. This unit requires a 120V, 480W electrical connection for operation.