



## ServIt 30" Stainless Steel Heated Shelf Warmer - 480W, 120V

#423HSW2030

### FEATURES

- Keeps foods hot and ready to eat
- Thermostatically controlled with gentle rope type elements
- Boasts a temperature range of 80 to 212 degrees Fahrenheit
- 304 stainless steel is durable and corrosion-resistant
- Adjustable rubber feet and a marine edge to prevent slippage

### TECHNICAL DATA

Width	30 Inches
Depth	20 Inches
Phase	1 Phase
Voltage	120 Volts
Wattage	480 Watts
Color	Silver
Control Type	Thermostatic
Features	Corrosion-Resistant NSF Listed
Heating Source	Rope



### CERTIFICATIONS



UL Listed, US



NSF Listed

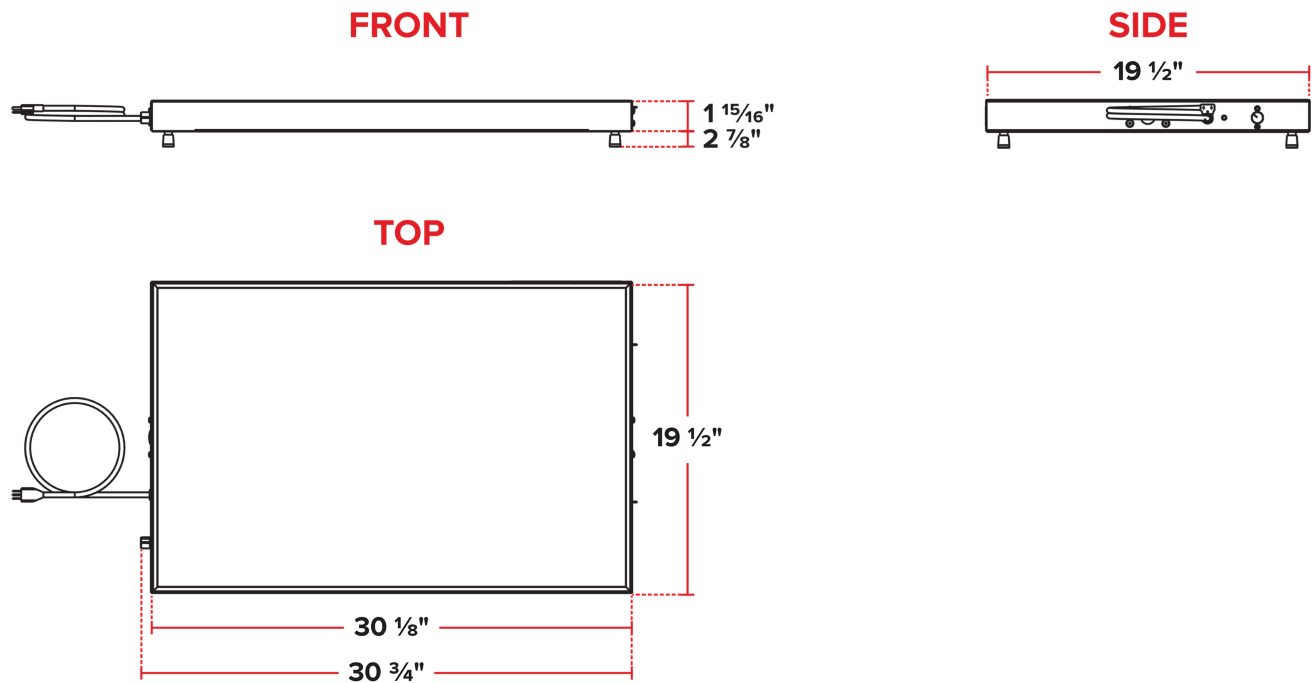


5-15P

## TECHNICAL DATA

Installation Type	Countertop
Material	Stainless Steel
Plug Type	NEMA 5-15P
Power Type	Electric
Stainless Steel Type	Type 304
Style	Heated
Temperature Range	80 - 212 Degrees F
Temperature Settings	Adjustable
Type	Shelf Warmers

## Plan View



423HSW2030

## Notes & Details

Keep foods hot and ready to eat with this Servit 30" stainless steel heated shelf warmer. This shelf warmer is perfect for holding food in buffet lines, self-serve stations, or even in pass through areas whether you're warming pizzas or a pan of chicken wings. It's thermostatically controlled with gentle rope type elements, allowing you to set the temperature from 80 to 212 degrees Fahrenheit.

Durable and corrosion-resistant, this shelf warmer is constructed of 304 stainless steel, making it a long-lasting addition to your kitchen. It features adjustable rubber feet and a marine edge to prevent slippage. This shelf warmer is perfect for keeping your products warm and ready for your customers. This unit requires a 120V, 480W electrical connection for operation.

**⚠ WARNING:** This product can expose you to chemicals including lead, which are known to the State of California to cause cancer, birth defects, or other reproductive harm. For more information, go to [www.p65warnings.ca.gov](http://www.p65warnings.ca.gov).