



ServIt 24" Stainless Steel Heated Shelf Warmer - 384W, 120V

#423HSW2024

FEATURES

- Keeps foods hot and ready to eat
- Thermostatically controlled with gentle rope type elements
- Boasts a temperature range of 80 to 212 degrees Fahrenheit
- 304 stainless steel is durable and corrosion-resistant
- Adjustable rubber feet and a marine edge to prevent slippage

TECHNICAL DATA

| | |
|-------------------|---------------|
| Width | 24 Inches |
| Depth | 20 Inches |
| Power Cord Length | 55 1/8 Inches |
| Hertz | 60 Hz |
| Phase | 1 Phase |
| Voltage | 120 Volts |
| Wattage | 384 Watts |
| Color | Silver |
| Control Type | Thermostatic |
| Heating Source | Rope |



CERTIFICATIONS



NSF Certified



5-15P

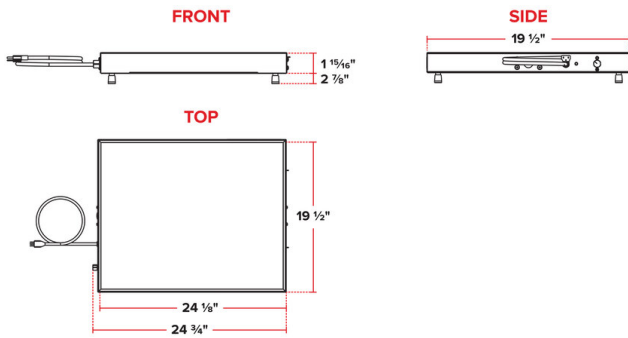


UL Certified

TECHNICAL DATA

| | |
|----------------------|--------------------------------------|
| Features | Corrosion-Resistant NSF Certified |
| Installation Type | Countertop |
| Material | Stainless Steel |
| Plug Type | NEMA 5-15P |
| Power Type | Electric |
| Stainless Steel Type | Type 304 |
| Temperature Range | 80 - 212 Degrees F |
| Temperature Settings | Adjustable |
| Type | Warming Shelves |

Plan View



42345W2024

Notes & Details

Keep foods hot and ready to eat with this Servit 24" stainless steel heated shelf warmer. This shelf warmer is perfect for holding food in buffet lines, self-serve stations, or even in pass through areas whether you're warming pizzas or a pan of chicken wings. It's thermostatically controlled with gentle rope type elements, allowing you to set the temperature from 80 to 212 degrees Fahrenheit.

Durable and corrosion-resistant, this shelf warmer is constructed of 304 stainless steel, making it a long-lasting addition to your kitchen. It features adjustable rubber feet and a marine edge to prevent slippage. This shelf warmer is perfect for keeping your products warm and ready for your customers. This unit requires a 120V, 384W electrical connection for operation.