



ServIt 16" x 12" Stainless Steel Heated Shelf Warmer - 135W, 120V

#423HSW1216

FEATURES

- Keeps foods hot and ready to eat
- Thermostatically controlled with gentle rope type elements
- Boasts a temperature range of 80 to 212 degrees Fahrenheit
- 304 stainless steel is durable and corrosion-resistant
- Adjustable rubber feet and a marine edge to prevent slippage

TECHNICAL DATA

| | |
|--------------|-----------------------------------|
| Length | 16 Inches |
| Width | 12 Inches |
| Amps | 1.13 Amps |
| Phase | 1 Phase |
| Voltage | 120 Volts |
| Wattage | 135 Watts |
| Color | Silver |
| Control Type | Thermostatic |
| Features | Corrosion-Resistant NSF Listed |



CERTIFICATIONS



UL Listed, US



NSF Listed

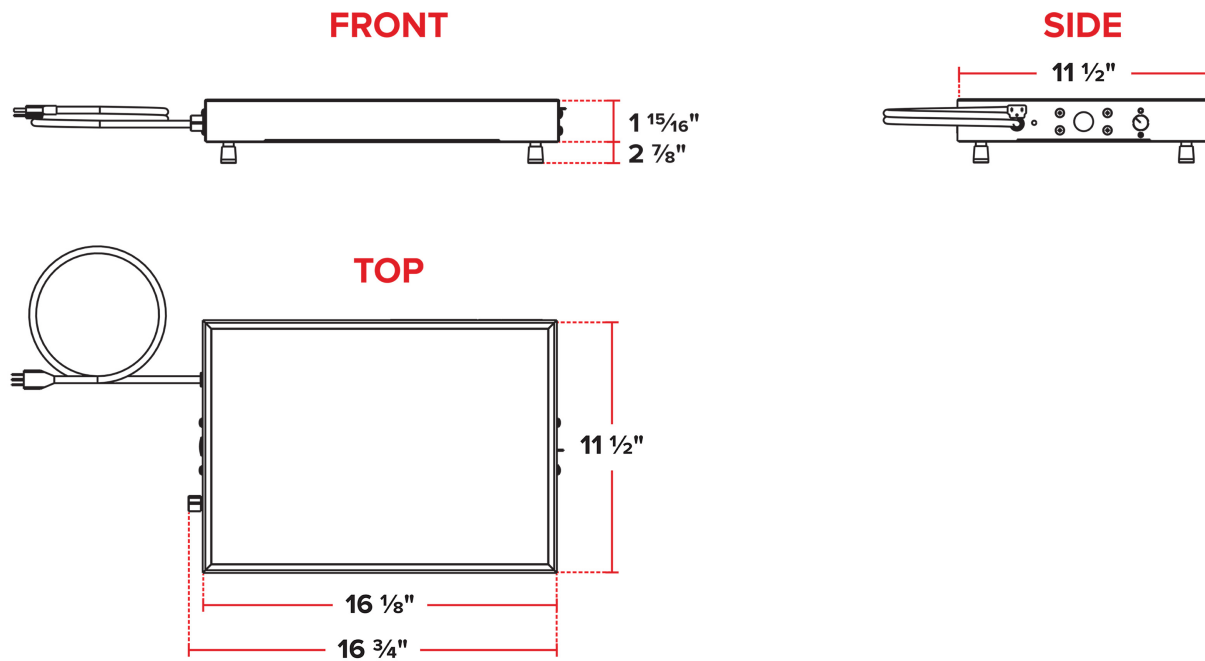


5-15P

TECHNICAL DATA

| | |
|----------------------|--------------------|
| Heating Source | Rope |
| Installation Type | Countertop |
| Material | Stainless Steel |
| Plug Type | NEMA 5-15P |
| Power Type | Electric |
| Stainless Steel Type | Type 304 |
| Style | Heated |
| Temperature Range | 80 - 212 Degrees F |
| Temperature Settings | Adjustable |
| Type | Shelf Warmers |

Plan View



423HSW1216

Notes & Details

Keep foods hot and ready to eat with this ServIt 16" x 12" stainless steel heated shelf warmer. This shelf warmer is perfect for holding food in buffet lines, self-serve stations, or even in pass through areas whether you're warming pizzas or a pan of chicken wings. It's thermostatically controlled with gentle rope type elements, allowing you set the temperature from 80 to 212 degrees Fahrenheit.

Durable, this shelf warmer is constructed of 304 stainless steel, making it corrosion-resistant. It features adjustable rubber feet and a marine edge to prevent slippage. This shelf warmer is perfect for keeping your products warm and ready for your customers. This unit requires a 120V, 135W electrical connection for operation.

⚠ WARNING: This product can expose you to chemicals including lead, which are known to the State of California to cause cancer, birth defects, or other reproductive harm. For more information, go to www.p65warnings.ca.gov.