



ServIt BLS-5 Suspension Bar 5 Bulb Heat Lamp - 120V, 1250W

#423BLS5

FEATURES

- Suspended model saves valuable counter space
- 5 clear, 250W infrared bulbs included
- Easy way to attractively display food while keeping it warm
- Powder-coated shade is scratch-resistant and easy to clean
- Simple on / off control is easy for any employee to use; 120V, 1250W

TECHNICAL DATA

| | |
|-------------------|-----------------|
| Width | 37 1/5 Inches |
| Depth | 8 11/16 Inches |
| Height | 6 1/2 Inches |
| Power Cord Length | 62 15/16 Inches |
| Phase | 1 Phase |
| Voltage | 120 Volts |
| Wattage | 1250 Watts |
| Bulb Color | Clear |
| Control Type | On/Off |
| Finish | Silver |



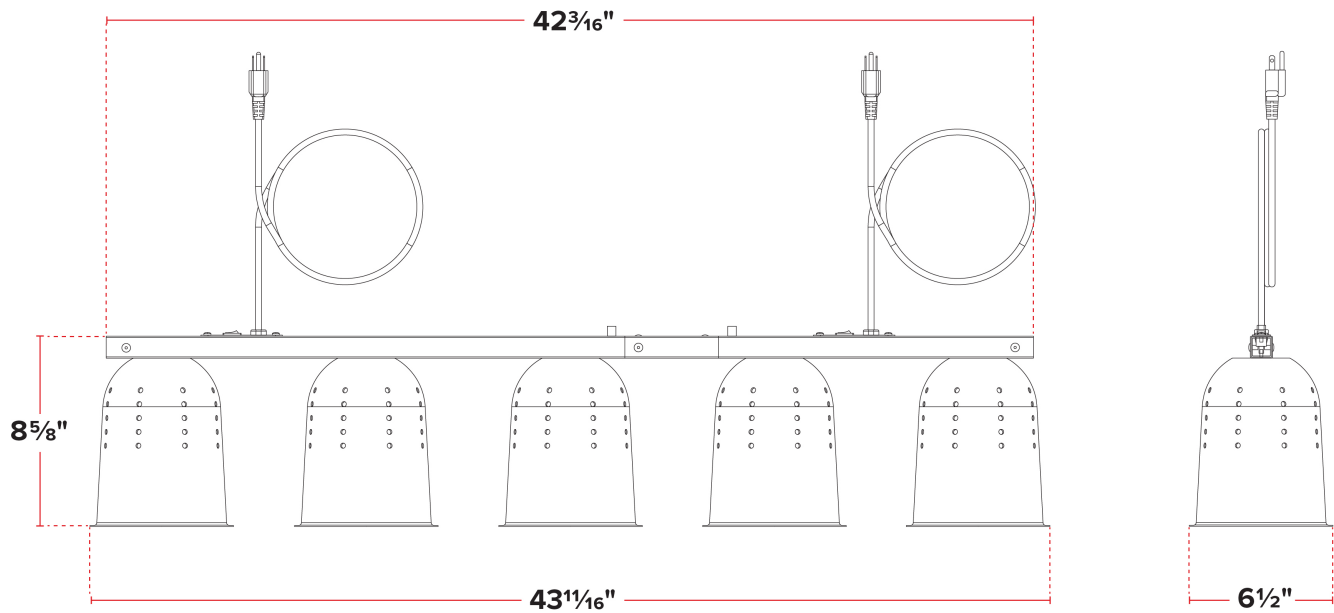
CERTIFICATIONS



TECHNICAL DATA

| | |
|-------------------|---|
| Installation Type | Suspended |
| Material | Powder Coated Metal |
| Number of Bulbs | 5 Bulbs |
| Plug Type | NEMA 5-15P |
| Style | Fixed Arm |
| Type | Hanging Bar Lamps Hanging Heat Lamps |

Plan View



423BLS5

Notes & Details

Keep your beautifully baked breads, savory steamed vegetables, or freshly fried sides fresh and ready to serve at your buffet, banquet hall, or cafeteria with the ServIt BLS-5 suspension bar 5 bulb heat lamp! This heat lamp is quite versatile thanks to its suspended design, so you can keep the food warm and ready for service without using up vital countertop space. When the food is in view, you can keep an eye on the intensity of the heat reaching your food to prevent over-drying.

This warmer lamp is made of heavy-duty, powder-coated aluminum to withstand the daily demands of your busy fast food restaurant, concession stand, or snack bar. The lamp features 3 easy-to-use on / off switches, for added independent control over multiple dishes at once. The kit includes a 2 bulb lamp and a 3 bulb lamp for a total of 5 clear, 250W bulbs, and 2 separate cord and plug sets. This food warmer requires a 120V electrical connection and has an output of 1250W.

⚠ WARNING: This product can expose you to chemicals including lead, which are known to the State of California to cause cancer, birth defects, or other reproductive harm. For more information, go to www.p65warnings.ca.gov.