



## ServIt BLS-4 Suspension Bar 4 Bulb Heat Lamp - 120V, 1000W

#423BLS4

### FEATURES

- Suspended model saves valuable counter space
- 4 clear, 250W infrared bulbs included
- Easy way to attractively display food while keeping it warm
- Powder-coated shade is scratch-resistant and easy to clean
- Simple on / off control is easy for any employee to use; 120V, 1000W

### TECHNICAL DATA

Width	33 1/16 Inches
Depth	8 11/16 Inches
Height	6 1/2 Inches
Power Cord Length	62 15/16 Inches
Phase	1 Phase
Voltage	120 Volts
Wattage	1000 Watts
Bulb Color	Clear
Control Type	On/Off
Finish	Silver



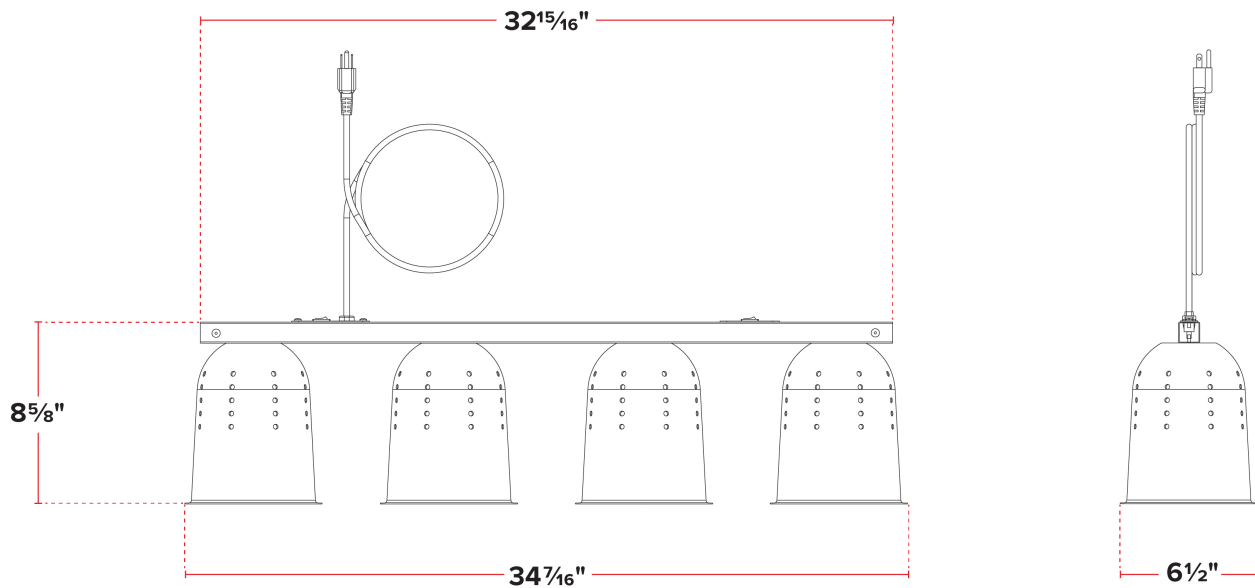
### CERTIFICATIONS



## TECHNICAL DATA

Installation Type	Suspended
Material	Powder Coated Metal
Number of Bulbs	4 Bulbs
Plug Type	NEMA 5-15P
Style	Fixed Arm
Type	Hanging Bar Lamps

## Plan View



423BLS4

## Notes & Details

Keep your beautifully baked breads, savory steamed vegetables, or freshly fried sides fresh and ready to serve at your buffet, banquet hall, or cafeteria with the Servit BLS-4 suspension bar 4 bulb heat lamp! This heat lamp is quite versatile thanks to its suspended design, so you can keep the food warm and ready for service without using up vital countertop space. When the food is in view, you can keep an eye on the intensity of the heat reaching your food to prevent over-drying.

This warmer lamp is made of heavy-duty powder-coated aluminum to withstand the daily demands of your busy fast food restaurant, concession stand, or snack bar. The lamp features 2 easy-to-use on / off switches, for added independent control over multiple dishes at once. Four clear, 250W bulbs are included. This food warmer requires a 120V electrical connection and has an output of 1000W.

**⚠ WARNING:** This product can expose you to chemicals including lead, which are known to the State of California to cause cancer, birth defects, or other reproductive harm. For more information, go to [www.p65warnings.ca.gov](http://www.p65warnings.ca.gov).