



Servit BLPT-4 Pass Through 4 Bulb Heat Lamp - 120V, 1000W

#423BLPT4

FEATURES

- Countertop unit with adjustable height provides perfect heat intensity for a variety of fried foods
- 4 clear, shatterproof 250W infrared bulbs included for out of box use
- Durable metal construction provides excellent durability at an exceptional price
- Powder-coated shade is scratch-resistant and easy to clean
- Simple on / off control is easy for any employee to use; 120V, 1000W

TECHNICAL DATA

Width	42 1/2 Inches
Depth	13 3/4 Inches
Height	21 1/4 - 27 3/8 Inches
Power Cord Length	63 Inches
Phase	1 Phase
Voltage	120 Volts
Wattage	1000 Watts
Bulb Color	Clear
Clearance Under Bulb	12 1/2 - 18 5/8 Inches
Color	Silver



CERTIFICATIONS

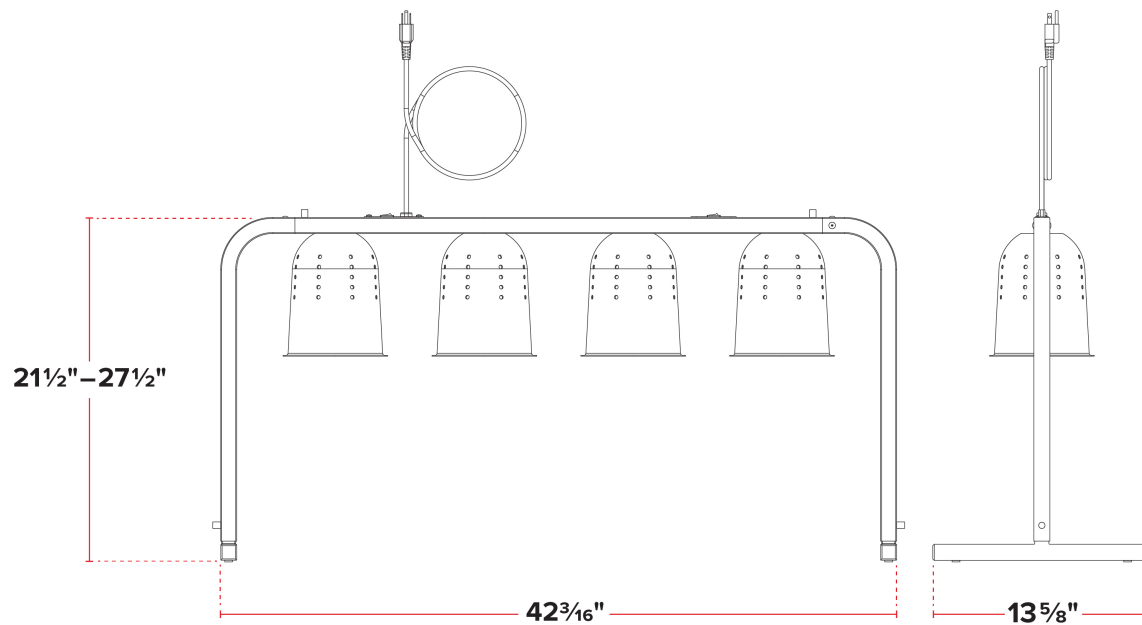


5-15P

TECHNICAL DATA

Control Type	On/Off
Finish	Silver
Installation Type	Freestanding
Material	Powder Coated Metal
Number of Bulbs	4 Bulbs
Plug Type	NEMA 5-15P
Style	Adjustable Arm
Type	Heat Lamps

Plan View



423BLPT4

Notes & Details

Keep your beautifully baked breads, savory steamed vegetables, or freshly fried sides fresh and ready to serve at your buffet, banquet hall, or cafeteria with the ServIt BLPT-4 pass through 4 bulb heat lamp! This heat lamp is quite versatile thanks to its countertop design, so you can keep the food warm directly in the serving area. When the food is in view, you can keep an eye on the intensity of the heat reaching your food to prevent over-drying.

This warmer lamp is made of heavy-duty powder-coated aluminum to withstand the daily demands of your busy fast food restaurant, concession stand, or snack bar. The lamp features 2 easy-to-use on / off switches, for added independent control over multiple dishes at once. Four clear, 250W bulbs are included. This food warmer requires a 120V electrical connection and has an output of 1000W.

⚠ WARNING: This product can expose you to chemicals including lead, which are known to the State of California to cause cancer, birth defects, or other reproductive harm. For more information, go to www.p65warnings.ca.gov.